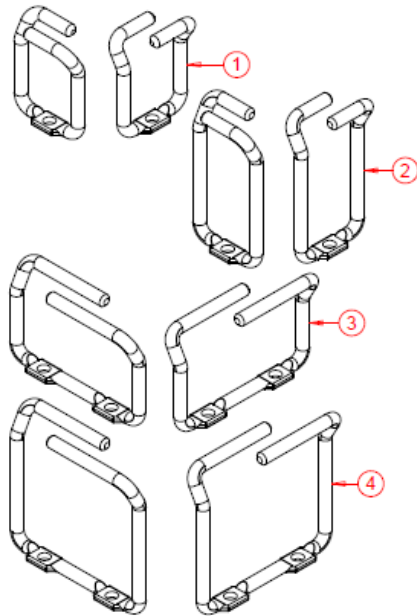


Cable Hoops 1U, 2U



Product Information

Quickly installs, quick cable wiring and sturdy heavy grade steel hoops keeps cables neatly arranged.

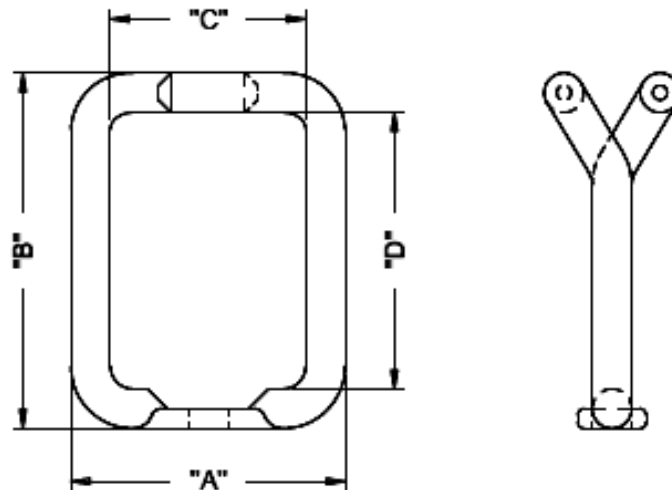
Features

- Quick installation
- Multiple locations in rack to install
- Heavy duty
- Cable management
- RoHS compliant

Materials/Finish

- High grade steel 6 mm diameter.
- Powder coat finish preceded by 5 stage iron phosphate pre treatment.
- Standard color is low gloss black. Special colors upon request.

Dimensions



Part Number	Description	"A"	"B"	"C"	"D"
CH1U225BLK	1U Cable Hoop 2.25"	44	57	31	44
CH1U325BLK	1U Cable Hoop 3.25"	44	83	31	70
CH2U225BLK	2U Cable Hoop 2.25"	87	57	74	44
CH2U325BLK	2U Cable Hoop 3.25"	87	83	74	70

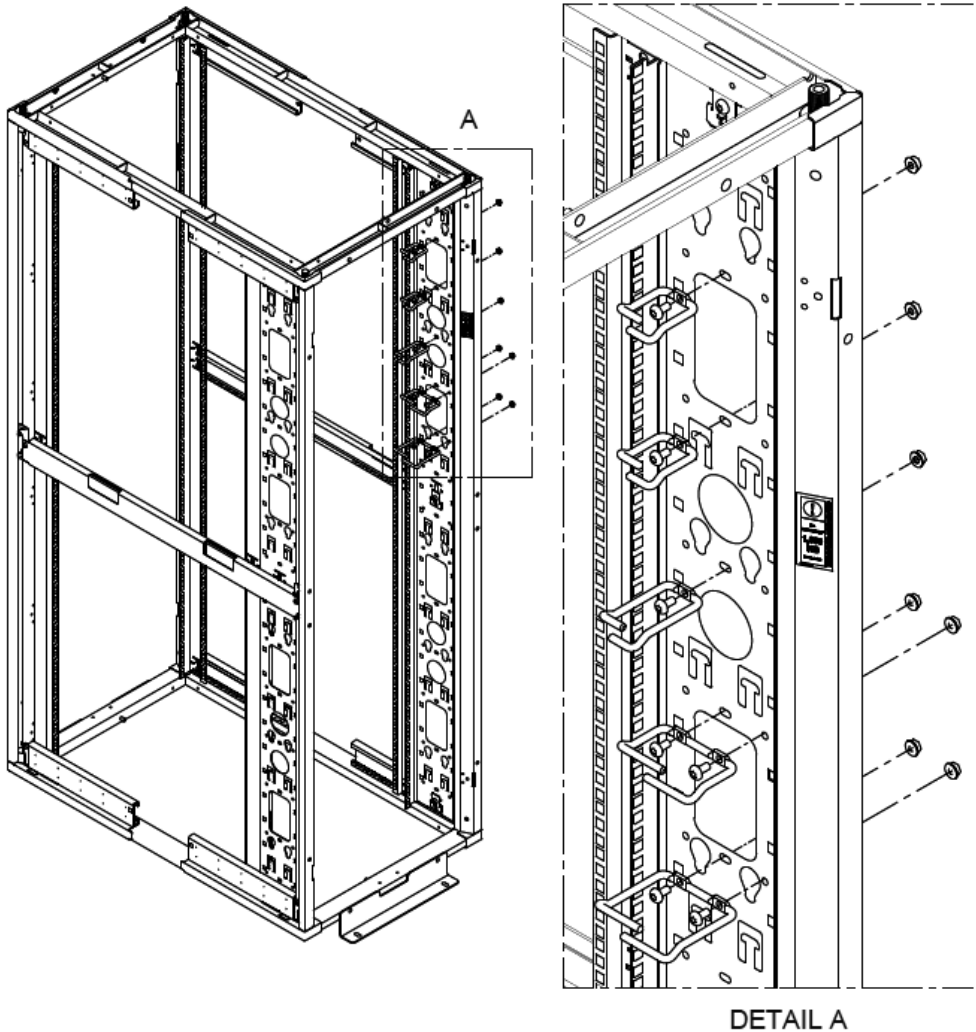
Part List

Description	Part Code	Quantity
1. 1U Cable Hoop 2.25"	CH1U225BLK	16 pieces
1U Cable Hoop 3.25"	CH1U325BLK	16 pieces
2U Cable Hoop 2.25"	CH2U225BLK	16 pieces
2U Cable Hoop 3.25"	CH2U325BLK	16 pieces
2. Screw Pan head T-30 M6x12 [1U / 2U]		16 / 32 pieces
3. Hex Flange Nut M6 [1U / 2U]		16 / 32 pieces



Installation

1. Put Cable hoop on PDU vertical rail or other device at desire location.
2. Fix Cable hoop to PDU vertical rail with T-30 M6x12 screw and hex flange Nut M6.
3. Tighten with torque 25-30 in lbs.



Note : Torque 25-30 in lbs

