

## 2U Cable Management Panel W/Hoop, Pass Through Black

### Product Information

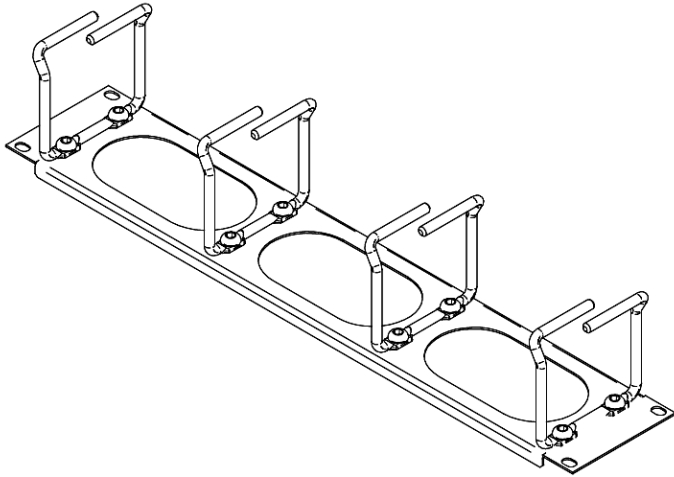
19" rack mounted cable organizer quickly installs onto any 19" standard enclosure. Large cutouts allow convenient passage into the enclosure and sturdy heavy grade steel hoops keep cables neatly arranged.

### Features

- Front and side openings for maximum cable routing points.
- 2U rack mount installation
- Heavy duty
- RoHS compliance
- Conforms to ASTM D610-01 and ASTM B117 (500 hours salt spray test)

### Materials/Finish

- High grade rod steel 8.0 mm diameter.
- Powder coat finish preceded by 5 stage iron phosphate pretreatment.
- Standard color is low gloss black. Special colors upon request.

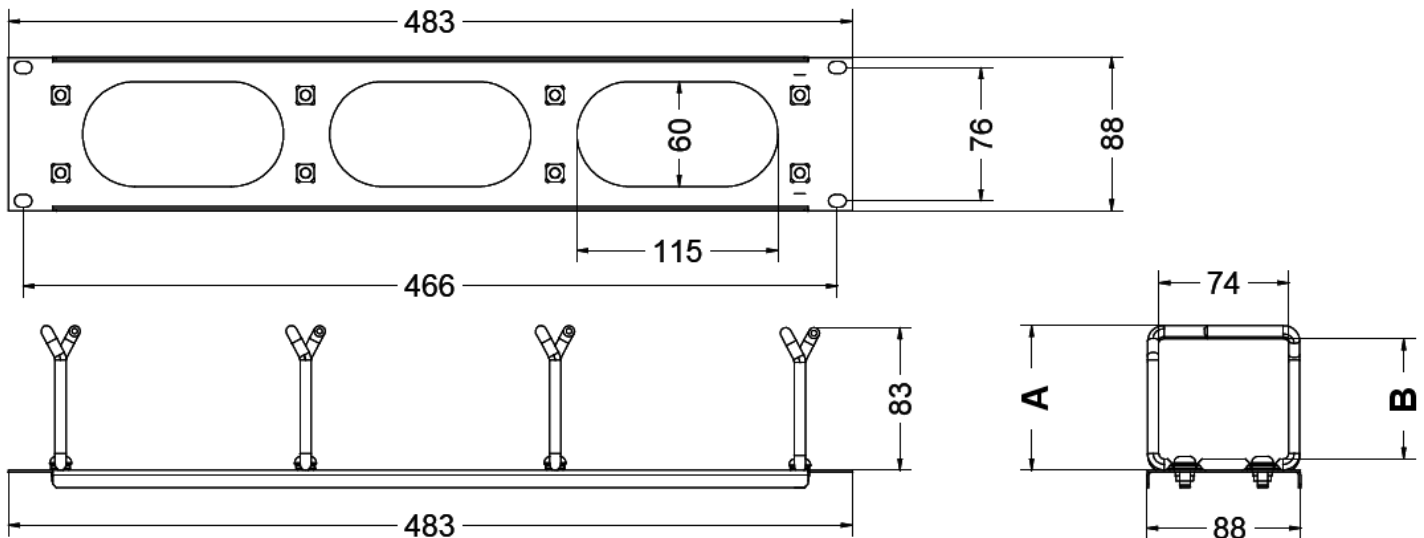


Part Code	Description	A	B	Cable **
CMP2252UPBLK	2U Cable Management Panel 2.25" Screw on Hoop Pass Through Black	44	57	135
CMP3252UPBLK	2U Cable Management Panel 3.25" Screw on Hoop Pass Through Black	70	83	210

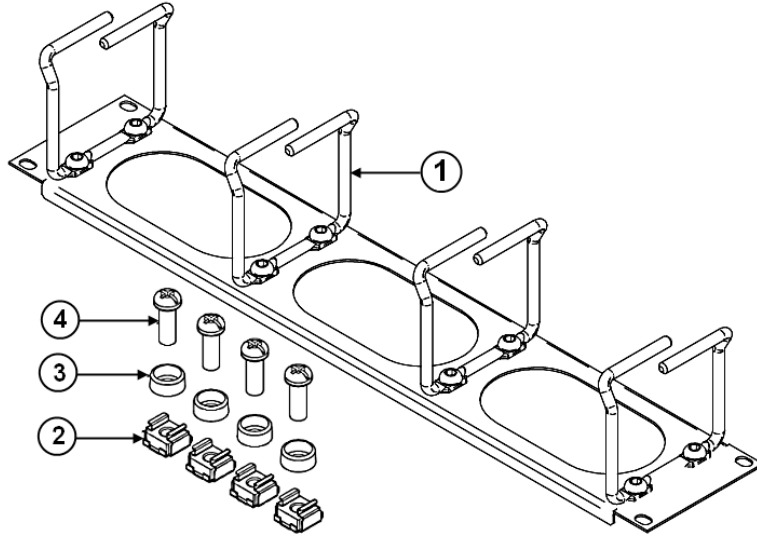
Dimensions are in millimeter

\*\* Number of cable shall be install inside the hoops base on standare CAT 5e cable

### Dimensions



## Part List



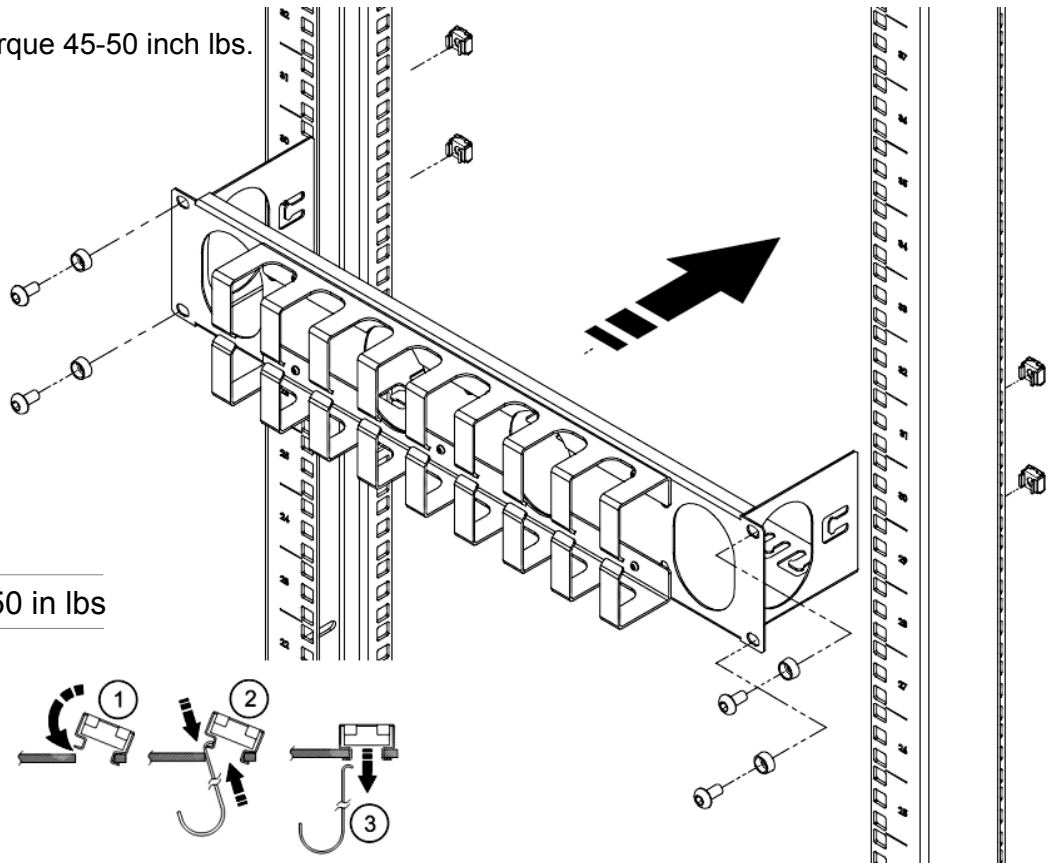
Description	Quantity
1. 2U Cable Management Panel W/Hoop, Pass Through 3.25" [assembled]	1 piece
2. Cage Nut M6	4 pieces
3. Plastic washer M6	4 pieces
4. Phillips Screw M6x16	4 pieces

## Installation

1. Install four piece of cage nut M6 into the top and bottom hole at desire U number on both left and right side of Vertical mounting channel. See balloon 1 to 3 below.

2. Fix Cable Pass Through 2U to Vertical mounting channel with four of plastic washer and M6x16 Phillips screw.

3. Tighten with torque 45-50 inch lbs.



**Note :** Torque 40-50 in lbs

