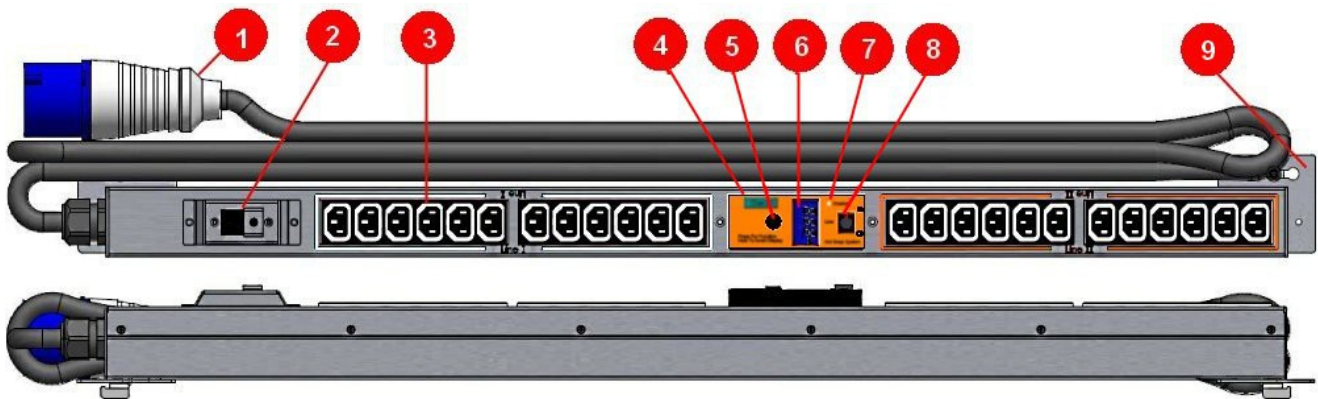


# Arion PDU : Intelligent Power Distribution User Guide for 24xC13 Outlet Monitored PDU



ISO 9001 & ISO 14001 Certified



1	Power Connector IEC 309 220V 32A
2	Hydraulic magnetic Circuit breaker 220V 32A
3	C13 24 Outlets (Four banks of 6 IEC 60320F C13)
4	Control module (Hot swap meter with remote support)
5	Function button (Display and setting button)
6	Display
7	Overload LED
8	RJ 11 link port for Arion PDU Server (option)
9	Installation bracket, see last page for installation details

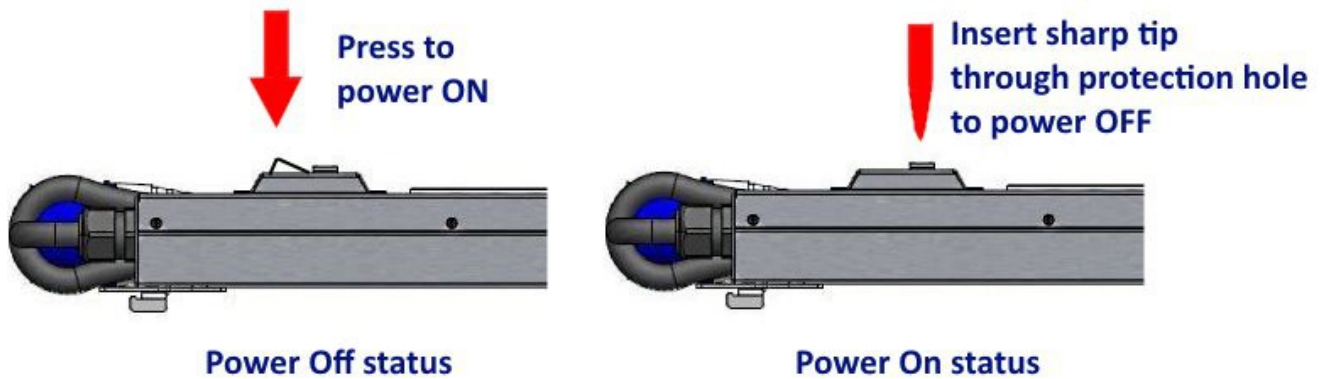
Specification	
Output Connectors	24 x IEC 320 C13 (4 banks of 6 )
Input Power Connector	IEC 309 1 phase 32A
Cord Length	3.0 meters
Protection	32 Amp Hydraulic magnetic Circuit Breaker
Remote Monitoring	RJ11 : Requires Arion PDU server unit
Input/output Voltage	220V
Frequency	50 Hz
Max. Output Current	32 Amp (16A on Line I and 16A on Line II)
Max. Output Current per outlet	10A
Max. Output Current per bank	15A
Operating Temperature	0~40 Degree Celsius
Operating Humidity	0%~90%
PDU Dimensions	(HxLxW) 54.5 x 968 x 76 mm
Shipping Dimensions	(HxLxW) 98 x 1,038 x 207 mm
Shipping Weight	5.50 kg

## Operation Display Modes and Trip Point Set Up

How to power ON and power OFF PDU unit :

This intelligent PDU 24xC13 will be shipped with power OFF state.

1. Press the pop up part of rocket switch down to power ON.
2. Use sharp tip tool such as pen insert through the protection hole on the protection bracket unit breaker switch off.



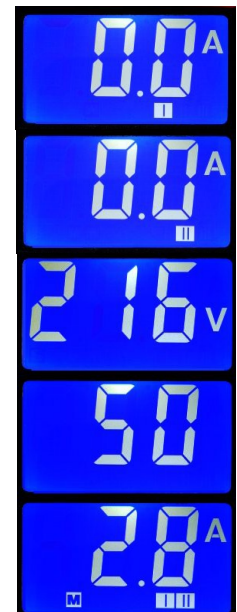
Normal Mode :

Display continuously shows combined current of line I and line II in amperes.



Display mode selection :

1. Press function button first time shows current of line I.
2. Press function button second time shows current of line II.
3. Press function button third time shows voltage.
4. Press function button fourth time shows frequency in Hz.
5. Press function button fifth time shows total max. current of line I and line II.



# Arion PDU : Intelligent Power Distribution User Guide for 24xC13 Outlet Monitored PDU



ISO 9001 & ISO 14001 Certified

6. Press function button sixth time shows maximum current of line I.



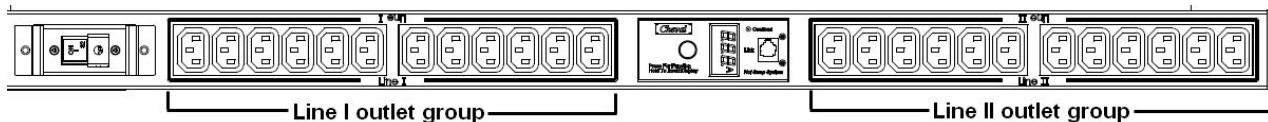
7. Press function button seventh time shows maximum current of line II.



8. Press function button again display reverts to normal mode.

**\*\* To invert readout, press and hold function button until you hear one beep followed by two beeps, then release. Repeat to invert back to original orientation. This can be done at any time.**

How to utilize 2 current transformer :



There are 2 current transformers for measuring current flow inside this Arion intelligent PDU. Line I provides power source for first C13 12 outlets and Line II provides power source for second C13 12 outlets.

Reads Line I real time current flow from PDU's display while adding devices to C13 outlet of Line I then limits line I current flow to less than 16 ampere.

Do the same thing on Line II.

Now you can control and balance loads of line I and II.

Note : Each bank of 6xC13 outlets can support only 15 ampere.

## Trip Point Setup Mode:

You can set up trip points to trigger overload alarm using the Function button. If you do not set any trip points, the default is 12 amps per line.

1. Select line 1 or line 2 as described above then display will show as below.



The display of "Line I" setting Number will flash during setup.

2. Press and hold the function button about 3 seconds, until you hear one "Beep".

3. The display starts flashing, and you can set the trip points.

- Below 10 amps, the current value will increase 0.5 amp with every press.
- Above 10 amps, the current value will increase 1 amp with every press.

If your selected value exceeds maximum allowable current, the setting number will return to 1 amp.

4. After the trip point is reached, press and hold the function button you will hear short beep and following with a long beep, then release.

5. Now trip point value is saved. The display will stop flashing and show the trip point value.

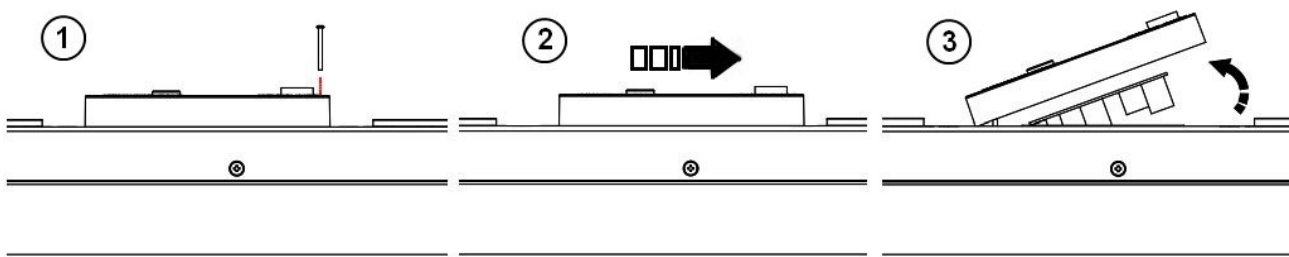
If you do not press the function button within 5 seconds after the setting is complete, the value you set will be canceled and the overload display will return to the normal mode.

## Alarm Mode :

The PDU will enter the Alarm mode if actual current exceeds warning trip point, or maximum current. The alarm will sound and red LED will remain lit. After resolving the issue, press function button two times to cancel overload LED and sound.

## How to change the control module (Hot Swap) :

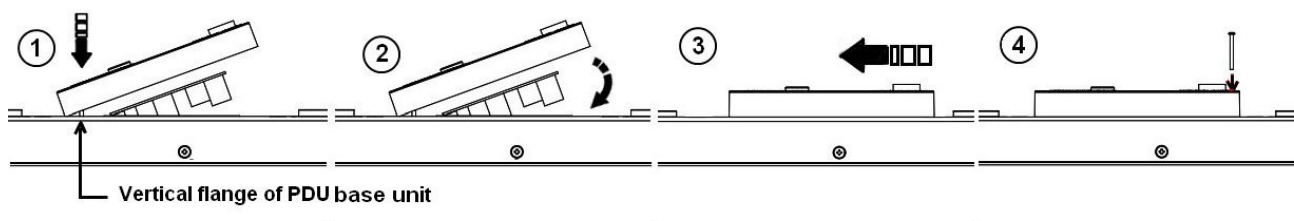
1. Remove the two screws on top of module. See image below.



2. Slide module to Line II direction
3. Lift up the screw side until the module disengages from PDU base unit.

Replace module with the new one :

4. Put new module on top surface of PDU base unit and keep non screw side of the module located outside of vertical flange of PDU base unit. See balloon #1



5. Adjust the angle between the module and PDU base to be 30-45 degree
6. Move the screw side of module down until it completely touches the PDU base unit
7. Slide the module backward (to Line I direction)

8. Fix the two screws back to module.

Now the new meter is ready to work without any interruption to the power source of Arion intelligent PDU.



**Caution :** You need to hold the module on the sides only.  
Do not touch PCB board during changing process.

## Installation to the Arion Rack

1. Install PDU fixing plate (balloon#1) at bottom on both side of PDU with two Phillips flat head screws M4-8 (balloon#2). See picture below.
2. Install Post Clamp Bracket (balloon#3) to PDU fixing plate with M6 screw (balloon#4).
3. Fix Smart PDU to Arion rack as shown below then slide upper Post clamp bracket up and slide lower Post clamp down until they stop.
4. Tighten two of M6 screw with torque 25-30 inch lbs to complete installation.

