

Cheval ACU Series : Standard PDU with Universal Type Outlet

Product Information

Add power points where you need them. Vertically or 19" mounted versions available with 12 or 24 outlets. There are three types of AC plug for 16A and 32A series as shown below.

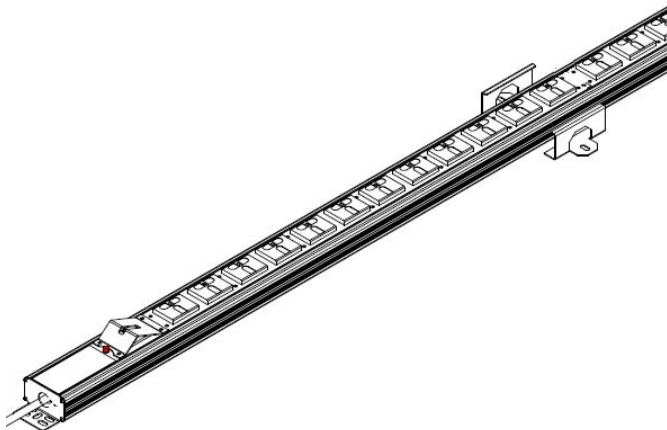


Features

- Direct vertical mount to Arion rack 42U
- Universal outlet type accepts with most equipment plugs
- Available in 220 VAC 16A and 32A
- LED to monitor the power status
- High quality 16A and 32A plug
- Maximum 10 ampere current rating per outlet
- Single phase
- Finger guard to prevent accidental switch off of breaker
- 19" mount versions available

Materials/Finish

- Extruded Aluminum Case
- Tough powder coat finish
- Standard color is low gloss black.
- RoHS compliance
- Conforms to ASTM D610-01 and ASTM B117 (500 hours salt spray test)

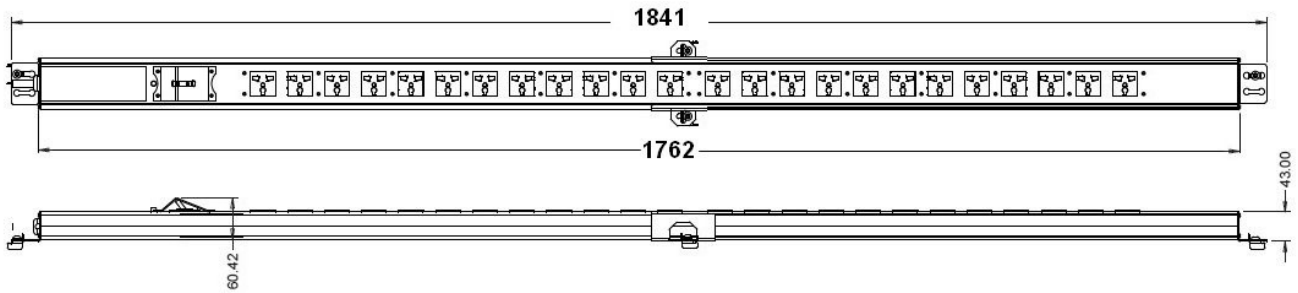


Dimensions

ACU Series : 12 outlet

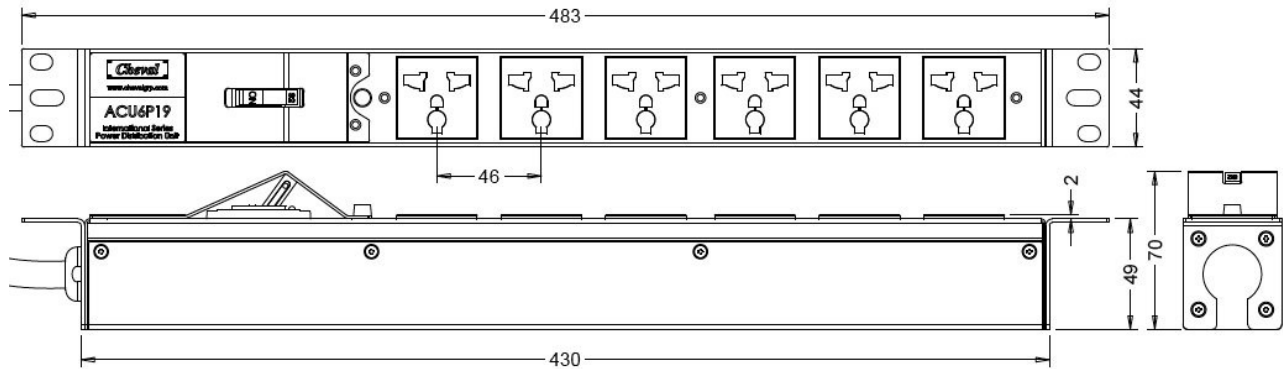


ACU Series : 24 outlet



These two series of Universal PDU are different in current rating. One is 16A and the other one is 32A. Both use the same case and universal AC outlets, but the circuit breaker rating, cables and AC plug will vary with the model.

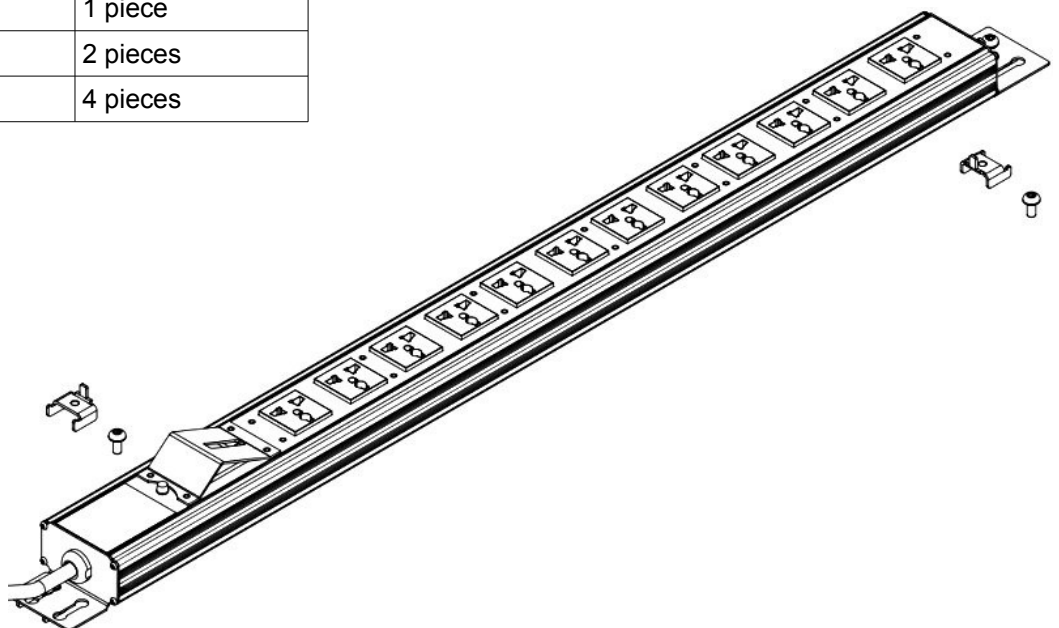
ACU Series : 19" Rack mount 6 outlet



Part List

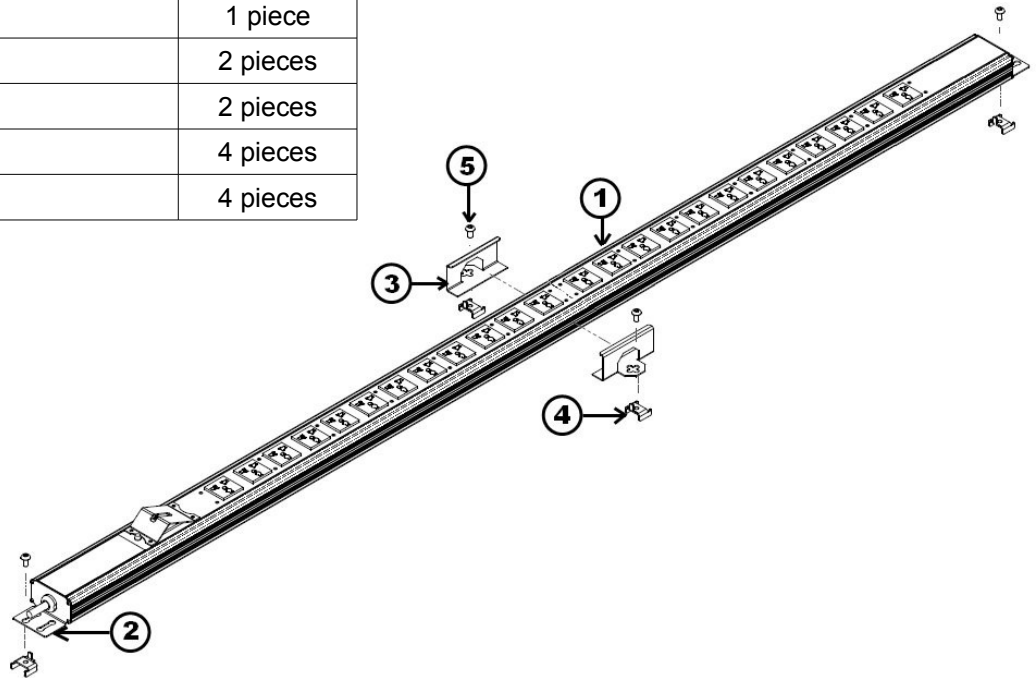
ACU Series : 12 outlet

Item	Quantity
1. PDU 12 Universal outlet	1 piece
2. Post Clamp Bracket	2 pieces
3. Screw M6-12 Pan T-30	4 pieces



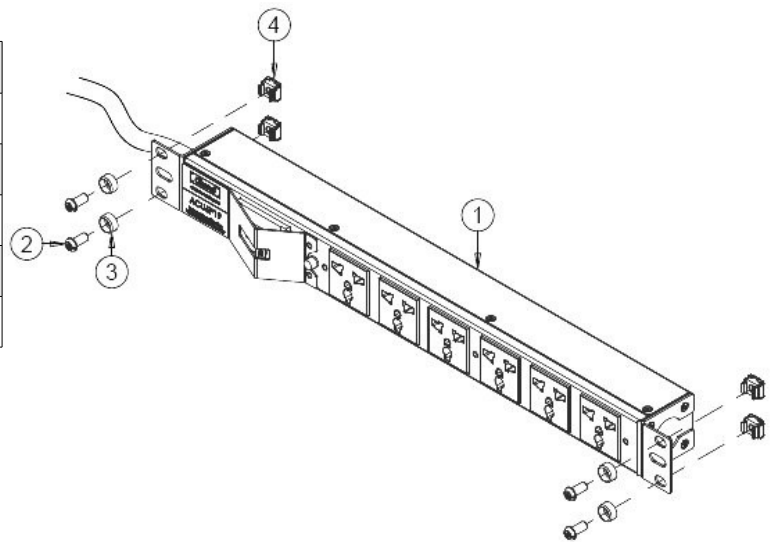
ACU Series : 24 outlet

Item	Quantity
1. PDU 24 Universal outlet	1 piece
2. PDU Fixing bracket	2 pieces
3. PDU Mid Clamp	2 pieces
4. Post Clamp Bracket	4 pieces
5. Torx Screw M6x12	4 pieces



ACU Series : 19" mount 6 outlet

Item	Quantity
1. PDU 6 Universal outlet	1 piece
2. AC adapter bracket	2 pieces
3. Screw M6-12 Pan T-30	4 pieces
4. Cage Nut M6	4 pieces
5. Plastic cap	4 pieces



Order Detail

Part Number	DESCRIPTION
ACU12P16P	Universal PDU 12 outlets 16 Amperes
ACU12P16A	Universal PDU 12 outlets 16 Amperes IEC 309 16A
ACU12P32A	Universal PDU 24 outlets 32 Amperes IEC 309 32A
ACU24P32A	Universal PDU 24 outlets 32 Amperes IEC 309 32A



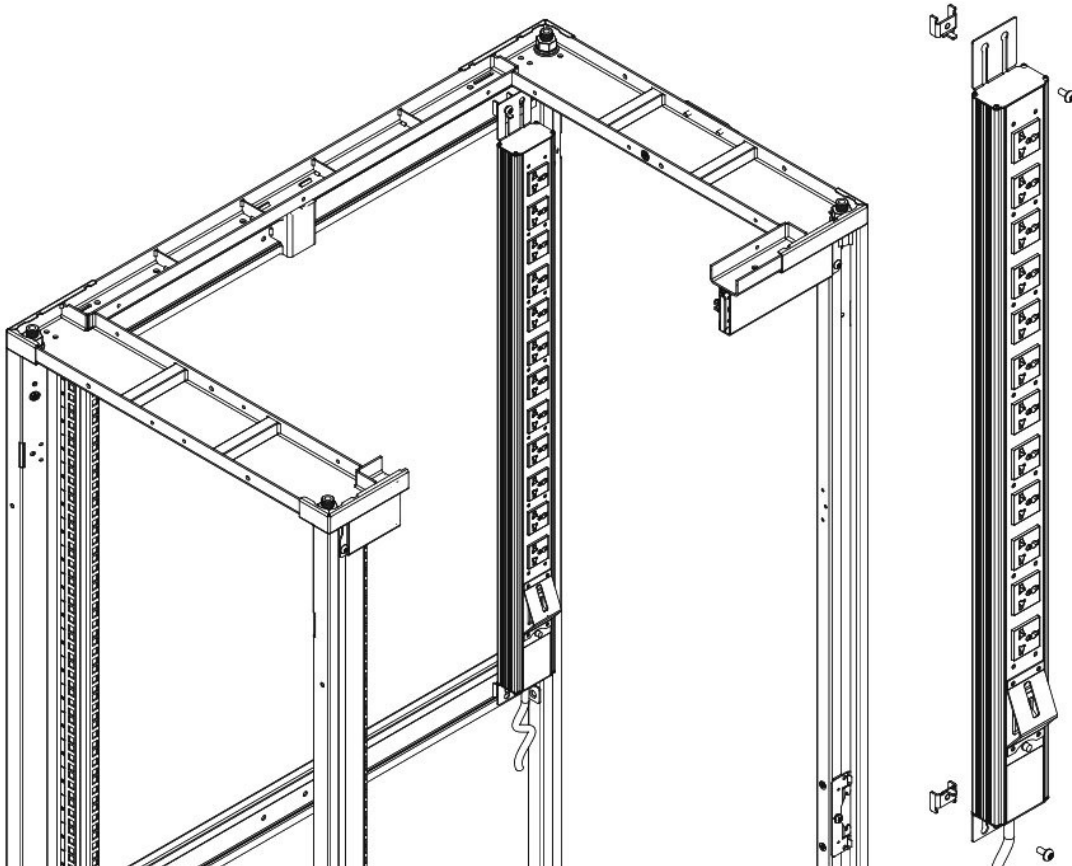
ACU6PH16P

19" Universal PDU 6 outlets 16 Amperes

Installation for Arion Rack

ACU Series : 12 outlet

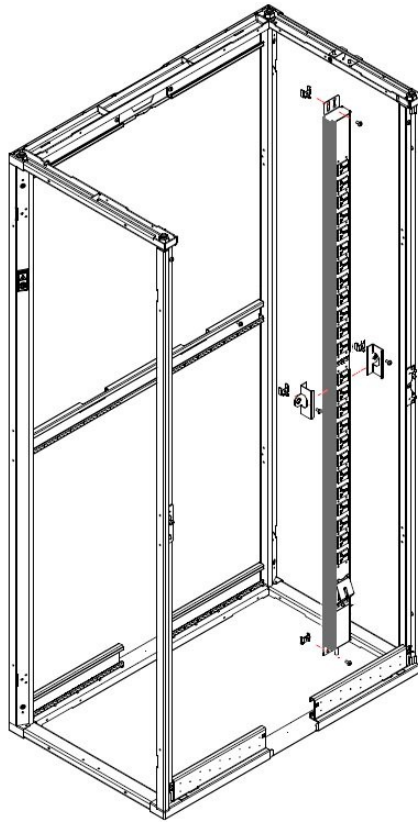
1. Lift PDU up while keeping cable side at bottom.
2. Insert both top and bottom post clamp bracket into top side brace and middle side brace.
3. Move screw M6 T-30 at middle side brace up until they fit to upper flange of side brace.
4. Move screw M6 T-30 at top side brace down until they fit to lower flange of top side brace.
5. Tighten two of M6 screw with torque 25-30 inch lbs.



ACU Series : 24 outlet

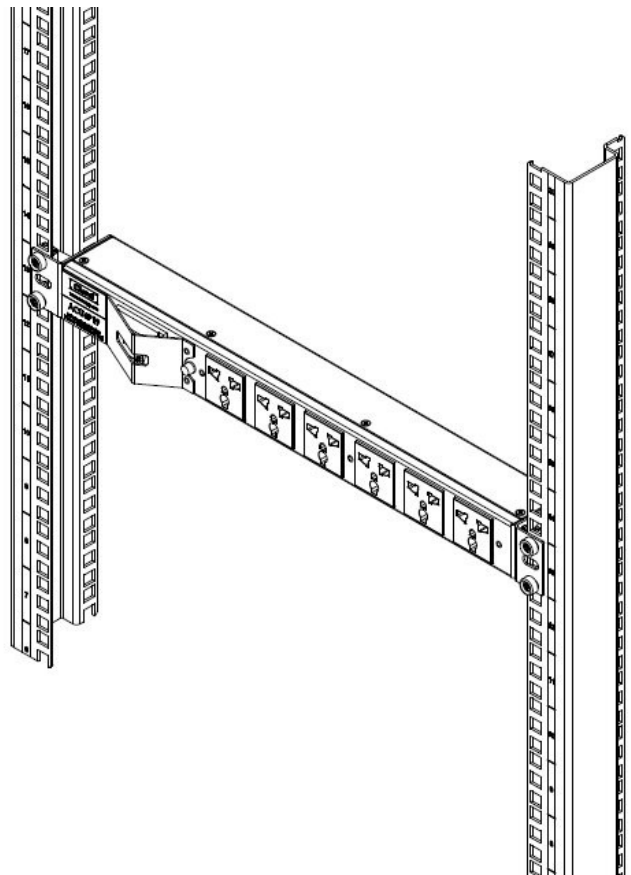
1. Lift PDU up while keeping cable side at bottom.
2. Put PDU on side brace firmly.
3. At bottom frame, slide post clamp down until it is locked to saw tooth inside bottom side brace.
4. At top frame, slide post clamp up until it was completely attached to top side brace then tighten screw M6 T-30 loosely
5. Put one PDU mid clamp on Side brace at left side of PDU then move post clamp up and tighten screw M6 T-30 to lock
6. Put another PDU mid clamp on Side brace at right side of PDU then push this PDU mid clamp until it firmly touch right side of PDU.
7. Move post clamp up and tighten screw M6 T-30 to lock
8. Adjust PDU to be perpendicular with bottom frame
9. Tighten all four M6 screw with torque 25-30 inched lbs.





ACU Series : 19" mount 6 outlet

For 19" rack mount installation please see image below



Note : Torque 25-30 in lbs



