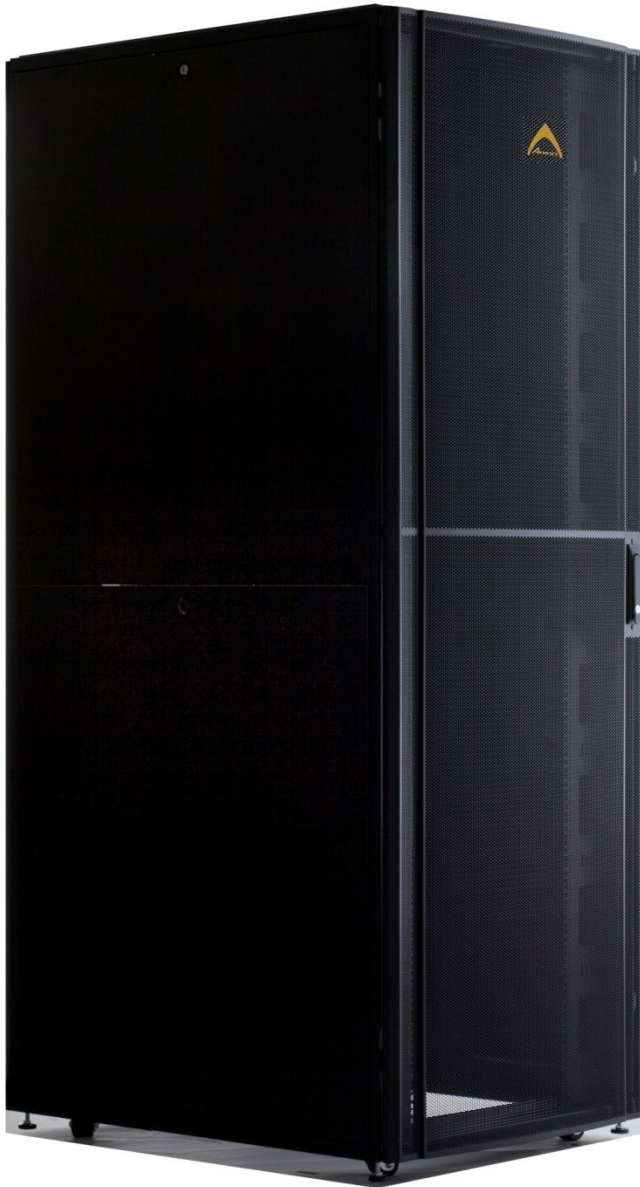


ARION 800 SERIES


19" Network Cabinet



Product Information

Arion 800 series is a vendor neutral and highly versatile 19" cabinet specially designed for networking and structured cable installations for IT and Data Center applications.

Features

-  UL listed 1400 KG load rate and Grounding Test
- Contoured high density perforated door exceeds 80% open area
- 800 wide design ideal for cable management
- Light weight and strong.
- Split level side panels provide convenient access to installed equipment.
- Depth adjustable 19" vertical mounting rails in 6.35 mm increments, with easy to read depth marking.
- "U" numbers printed on 19" rails.
- Knock down design for efficient shipping.
- Quick assembly time, approximately 15 minutes.
- Lift off door type for quick release
- Field reversible doors.
- Flexible packing methods allows for convenient stocking and end user delivery.
- Multiple sizes available.
- Customization requests welcome.

Patents Pending

1002000994, 1001000784, 1001000785, 1001000786 and 1001000787



Standards and Materials Summary

- UL listed : UL 2416 Issue No.2, CSA 22.2 No. 60950-1-07
- Dimensions conform to EIA-310E, IEC-60297-1,2
- Five stage iron-phosphate pretreatment with textured powder coat finish, tested to 500 hours salt spray under ASTM-D610-01 and ASTM-B117
- Standard color is low gloss textured black
- Premium grade Hot and Cold rolled steel sheet
- Structure of Frame Top and Frame Bottom are made of SAPH-440 (Automobile grade)
- Designed and Manufactured under ISO 9001 : 2008 and ISO 14001
- All materials RoHS compliant

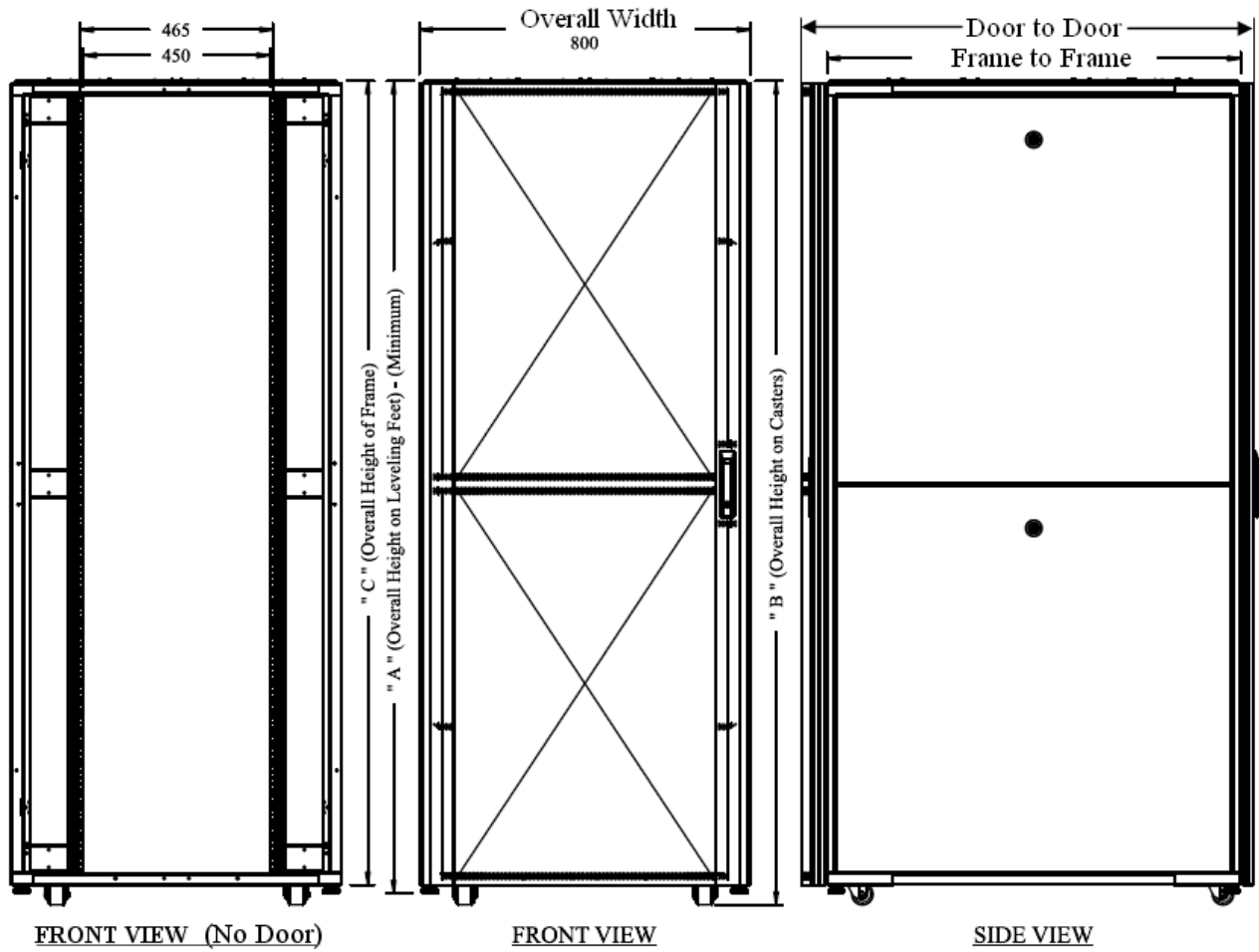
Technical Specifications Summary

Size Description	800 Deep				1000 Deep				1200 Deep		
	27U	42U	45U	47U	27U	42U	45U	47U	42U	45U	47U
Overall Height of Rack without Casters	1299	1966	2099	2188	1299	1966	2099	2188	1966	2099	2188
Overall Height of Rack including Casters	1327	1994	2127	2216	1327	1994	2127	2216	1994	2127	2216
Overall Depth, Door to Door (See page 3)	890	890	890	890	1090	1090	1090	1090	1290	1290	1290
Rack Depth, Frame to Frame (See page 3)	800	800	800	800	1000	1000	1000	1000	1200	1200	1200
Usable Rack Height	27U	42U	45U	47U	27U	42U	45U	47U	42U	45U	47U
Net weight (Kg.) (Include Casters)	82	110	116	120	88	122	128	132	147	155	159
Maximum Mounting Depth (mm)	690	690	690	690	890	890	890	890	1090	1090	1090
Front Door Total Open Area (sq in), all exceed 80%	867	1446	1546	1617	867	1446	1546	1617	1446	1546	1617
Rear Door Total Open Area (sq in), all exceed 80%	926	1423	1515	1582	926	1423	1515	1582	1423	1515	1582
Door opening radius	155 °	155 °	155 °	155 °	155 °	155 °	155 °	155 °	155 °	155 °	155 °

* Weights will vary based on options and packing method.



Dimensions



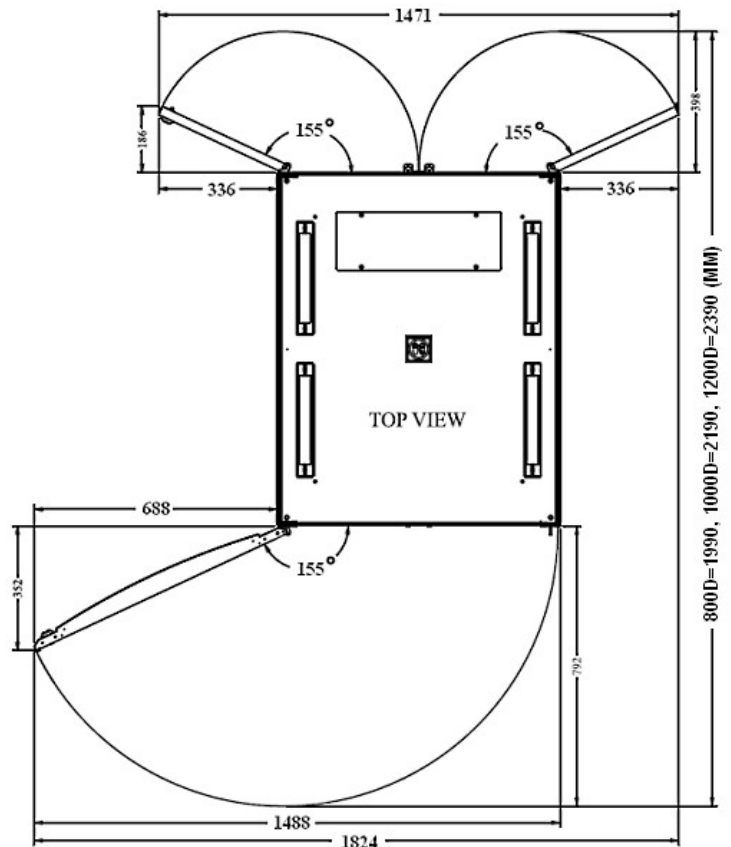
FRONT VIEW (No Door)

FRONT VIEW

SIDE VIEW

DIMENSIONS (UNIT : MM)			
UNIT HEIGHT	DIM. "A"	DIM. "B"	DIM. "C"
27U	1299	1327	1279
42U	1966	1994	1946
45U	2099	2127	2079
47U	2188	2216	2168

Note : 27U has single piece Side Panel



TOP VIEW

