

Cable Entry Brush Strip

Product Information

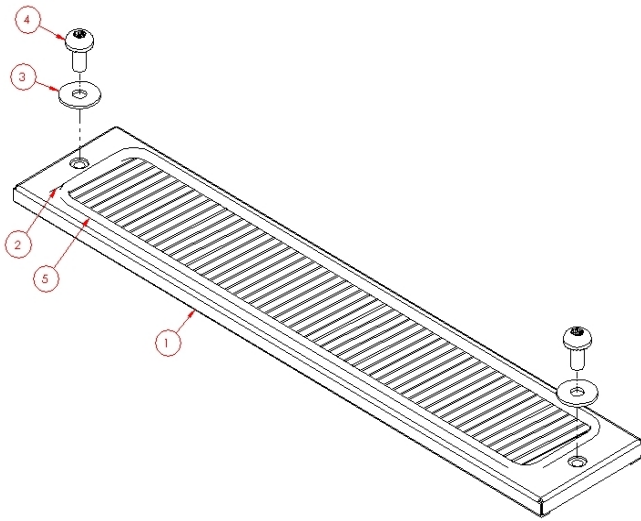
The Cable entry with brush strips allows cables to pass, but blocks air and contaminants. These are fitted in the any top panels, or in the 800 wide side channel covers.

Features

- Prevent air leakage between cable and cutout
- Block contaminants
- RoHS compliant
- Conforms to ASTM D610-01 and ASTM B117 (500 hours salt spray test)

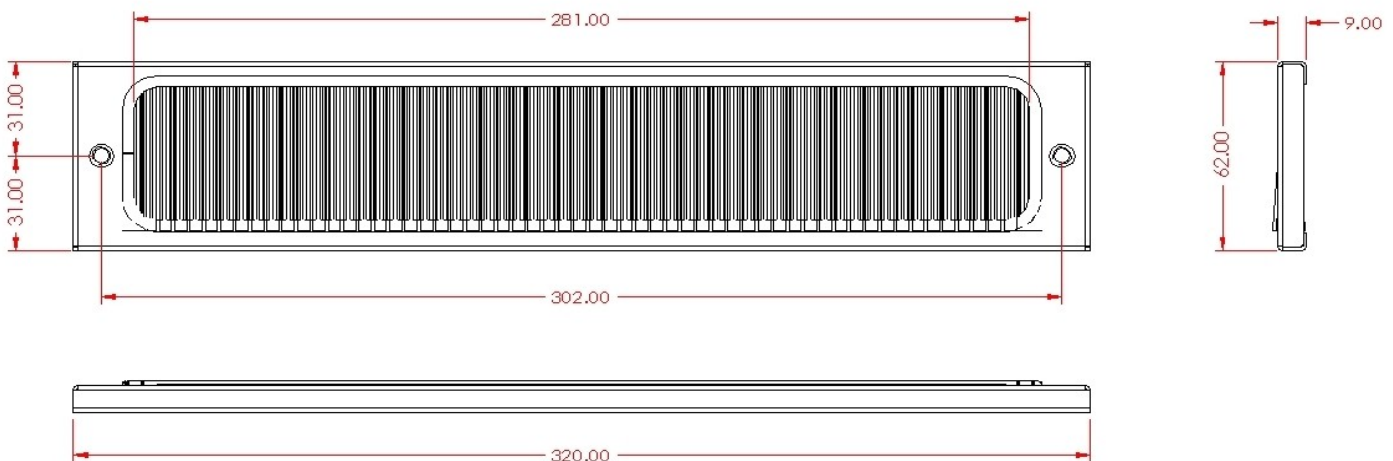
Materials/Finish

- High grade cold rolled steel 0.9 mm thickness.
- Powder coat finish preceded by 5 stage iron phosphate pre treatment.
- Standard color is low gloss black. Special colors upon request.



Part Code	Description
CECBRSBLK	Cable Entry Brush Strip Plate Black

Dimensions



Parts List

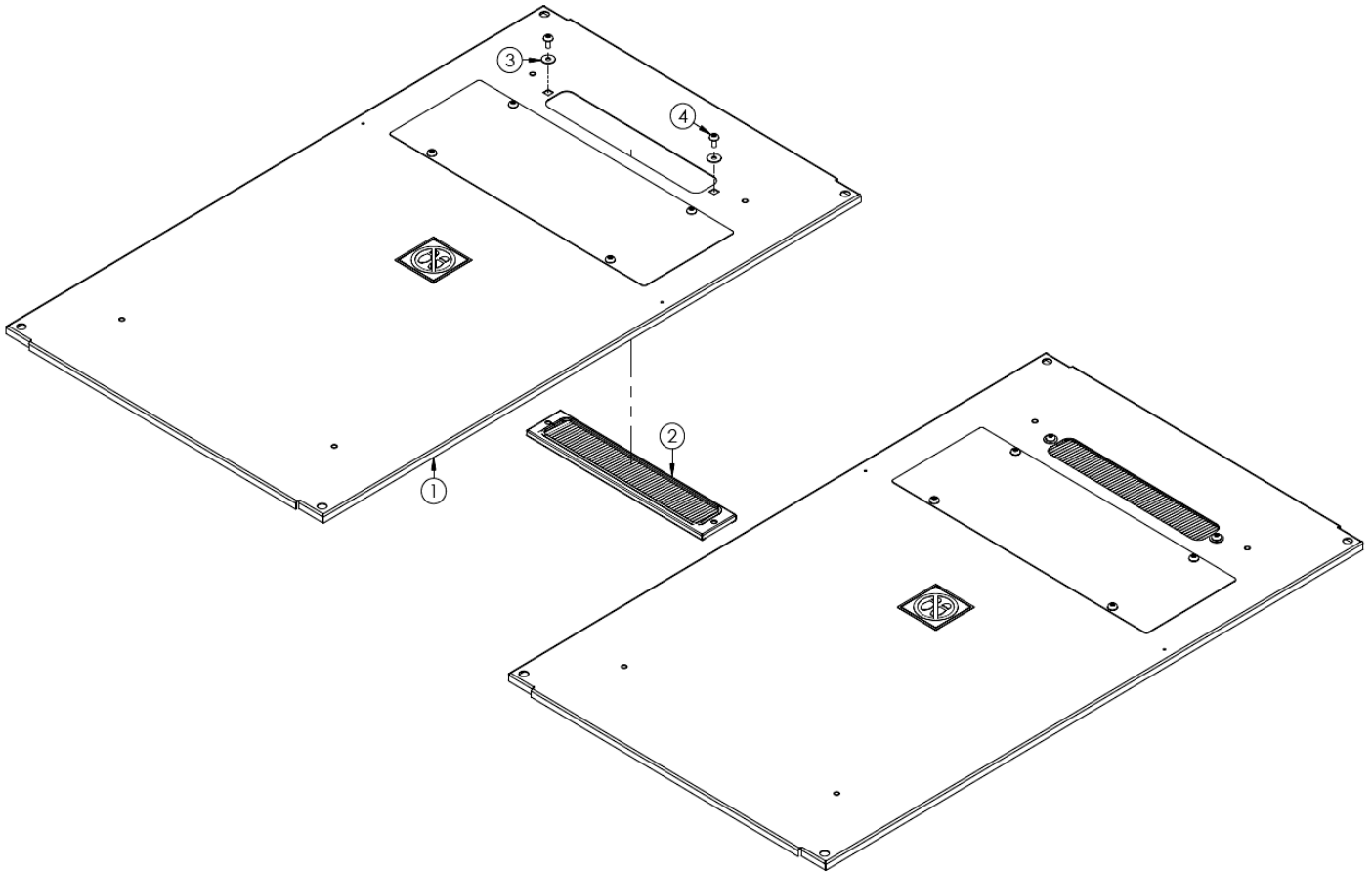
See first image above.

Description	Quantity
1. Cable Entry Brush strip	1 piece
2. Flat Washer M6	2 pieces
3. T-30 M6x12 Screw	2 pieces



Installation

1. Remove Cable Entry plastic cover Plate from Top Panel.
2. Put Cable Entry Brush strip beneath Top Panel at the cable entry cutout location.
3. Align 2 holes on Cable Entry Brush strip to be the same center as holes on Top Panel.
4. Tighten with T-30 screw M6x12 and flat washer M6 by using torque 25-30 inch lbs.



Note : Torque 25-30 in lbs

