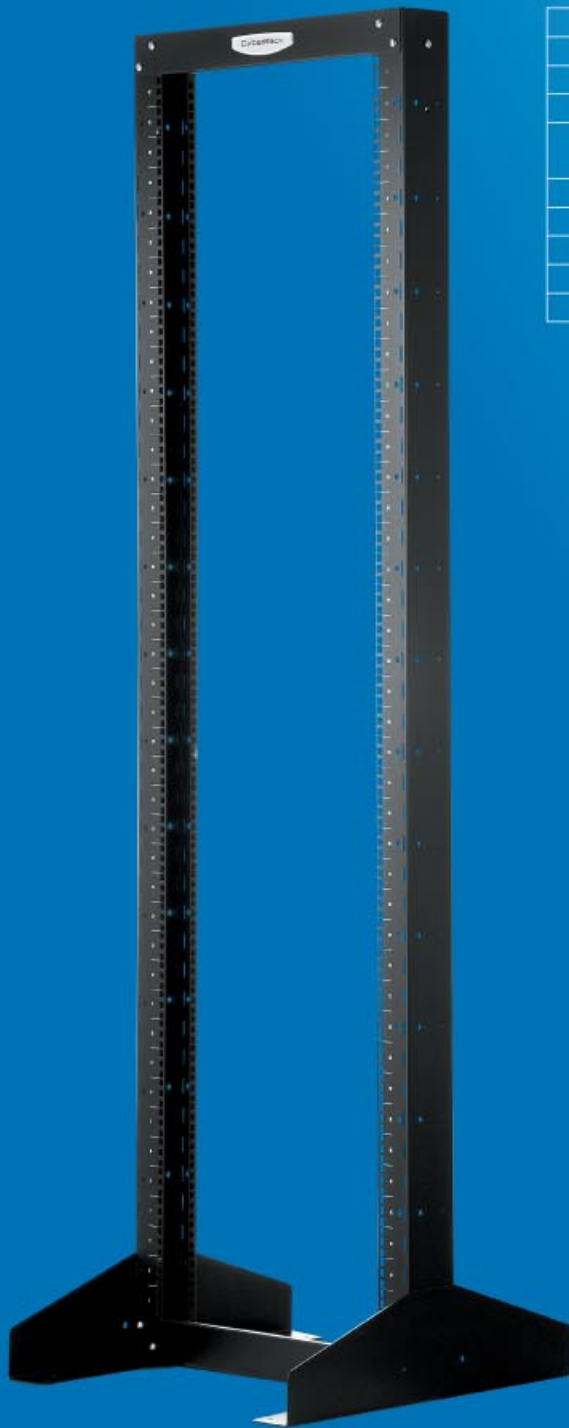
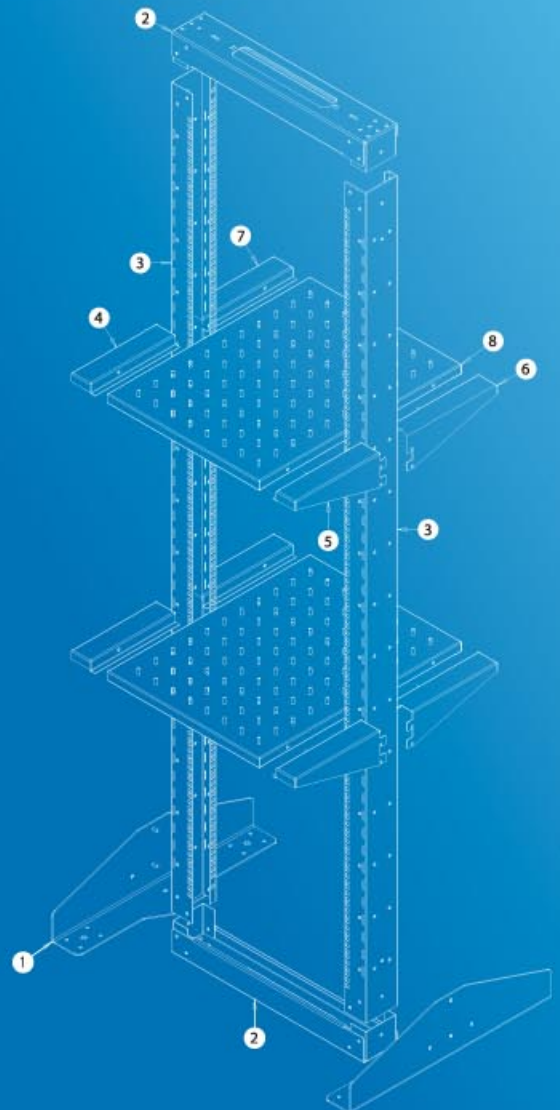


# TELECOMMUNICATIONS OPEN FRAME RACK TWO POST SERIES



Item	Description
1	Base
2	Top-Bottom Frame
3	Vertical Mounting Frame
<b>Optional Shelf Kit, Items 4-8</b>	
4	Shelf Fixing Brkt. (Front-L) 600D
5	Shelf Fixing Brkt. (Rear-R) 600D
6	Shelf Fixing Brkt. (Rear-L) 600D
7	Shelf Fixing Brkt. (Rear-R) 600D
8	Ventilate Shelf 600D



## TWO POST OPEN RACK SERIES

Our multi use two post rack is a cost and space effective way to install a variety of 19" equipment. Intended primarily for patch panels or network switching equipment, the two post rack can also be fitted with shelves to support equipment.

## FEATURES

- Conforms to EIA - 310D
- Flat pack design, assembles quickly, and easily
- Heavy Duty steel construction
- Durable powder epoxy coating
- Bolts directly to floor through prepared access points
- Available in 4 heights
- U markings printed on 19" rails for easy location



Internal Useable Height (mm)

UNIT REF.	REF. "A"	REF. "B"
27U	1386	1203
39U	1919	1737
42U	2053	1870
45U	2186	2003

1U=44.45mm / 1.75in.

