

Top Panel Brush Strip Plate

Product Information

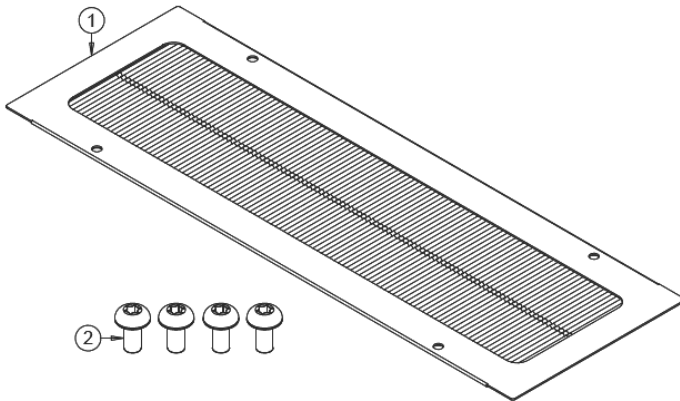
The brush strip plates are used for convenient cable entry through the top panel. Allows cables to pass, but blocks air and contaminants

Features

- Prevent air leakage between cable and cutout
- Block contaminants
- RoHS compliant
- Conforms to ASTM D610-01 and ASTM B117 (500 hours salt spray test)

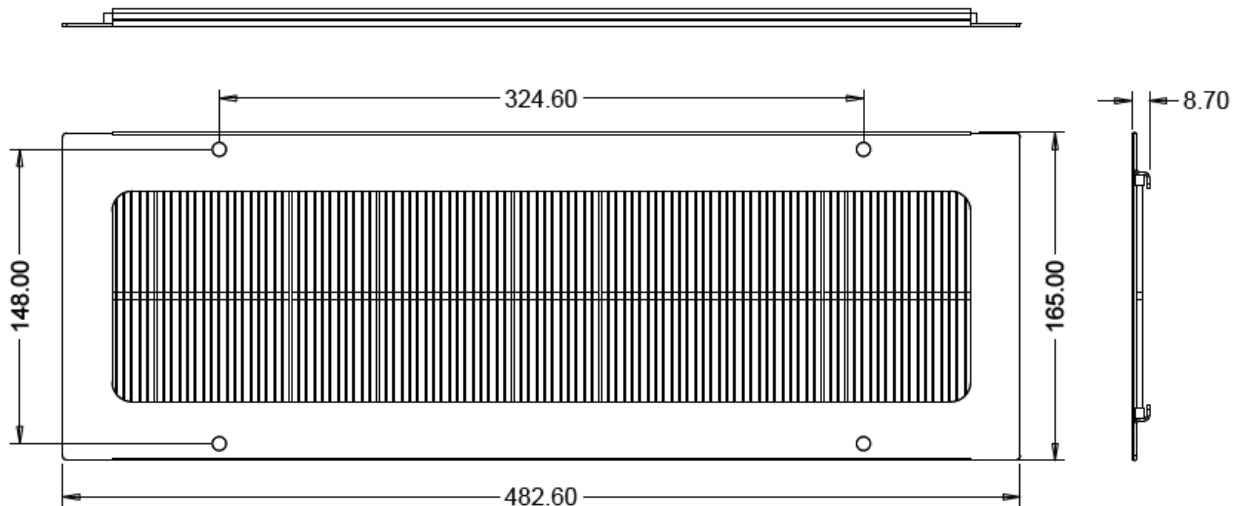
Materials/Finish

- High grade cold rolled steel 0.9 mm thickness.
- Powder coat finish preceded by 5 stage iron phosphate pre treatment.
- Standard color is low gloss black. Special colors upon request.



Part Code	Description
PLTPRSBLK	Top Panel Brush Strip Plate Black

Dimensions



Parts List

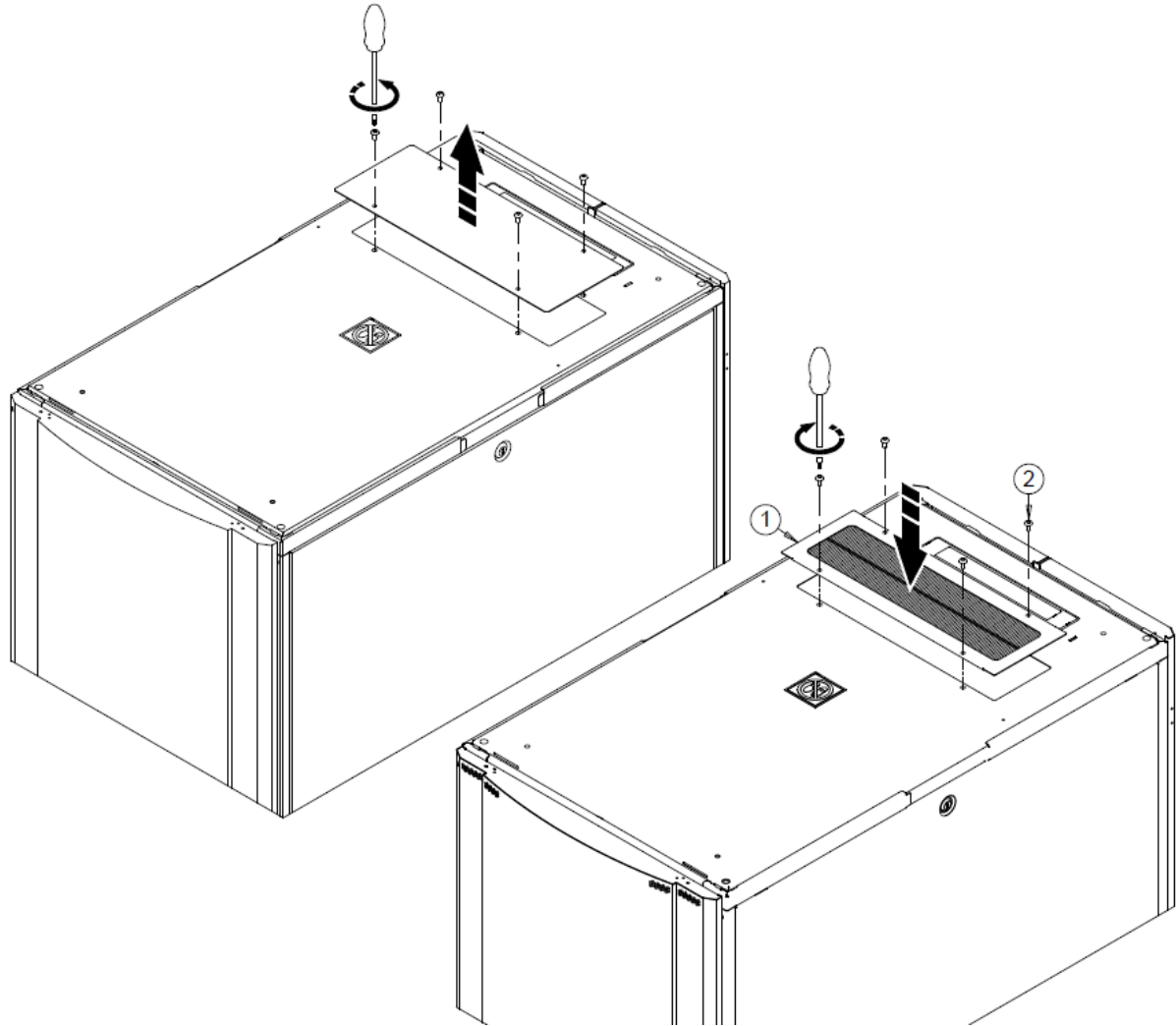
See first image above.

Description	Quantity
1. Top Panel Brush strip	1 piece
2. Screw Pan Head T-30 M6x12 Screw	4 pieces



Installation

1. Remove Top panel Plain Plate from Top Panel.
2. Put Top Panel Brush strip on Top Panel at the cutout are.
3. Align four holes on Top panel Brush strip to be the same center as holes on Top Panel.
4. Tighten with T-30 screw M6x12 by using torque 25-30 inch lbs.



Note : Torque 25-30 in lbs

