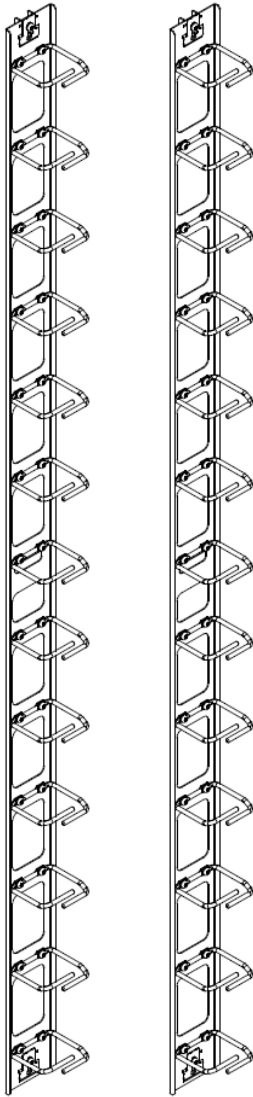


# Vertical Cable Management Rail 45U and 47U with 3.25" Cable Hoops



## Product Information

The vertical cable rail is a convenient and effective way to manage cables in the cabinet.

### Features

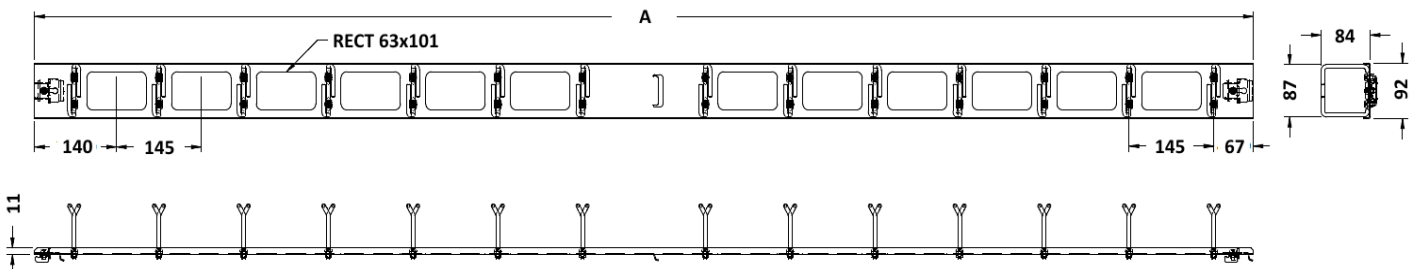
- Zero U installation
- 14 x 3.25" metal rod cable hoop
- Each hoop can hold approximately 180 standard CAT 5e cables.
- Ideal for high density cable applications.
- Large cutouts for cable routing between cabinets.
- Quick and easy installation.
- RoHS compliant
- Conforms to ASTM D610-01 and ASTM B117 (500 hours salt spray test)

### Materials/Finish

- High grade cold rolled steel.
- Powder coat finish preceded by 5 stage iron phosphate pretreatment.
- Standard color is low gloss black. Special colors upon request.

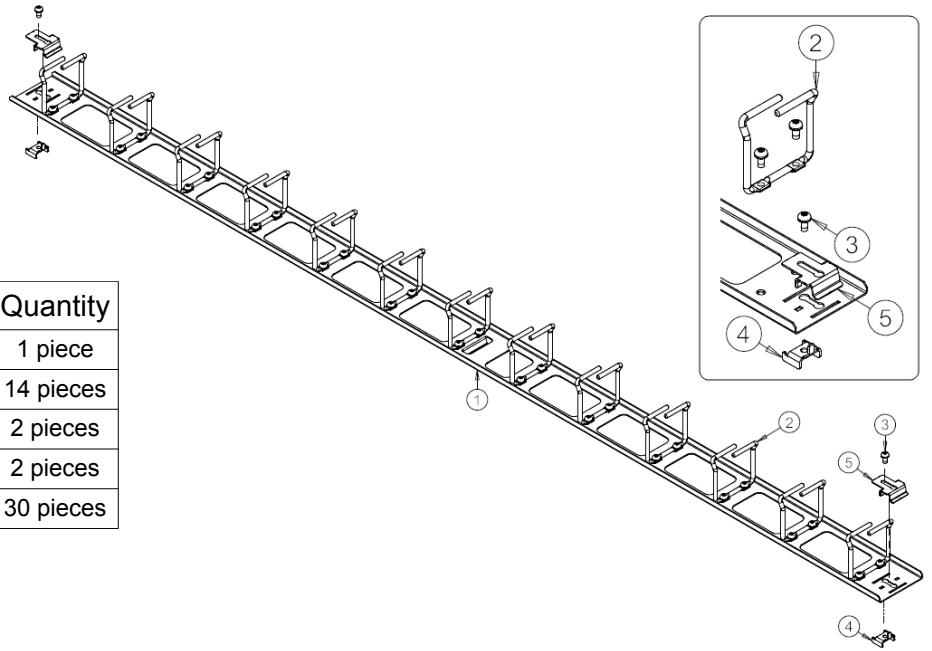
| Part Code | Description   | "A"  |
|-----------|---|------|
| VCMH45    | Vertical Cable Management Rail 45U with 3.25" Cable hoops | 1996 |
| VCMH47    | Vertical Cable Management Rail 47U with 3.25" Cable hoops | 2085 |

## Dimensions



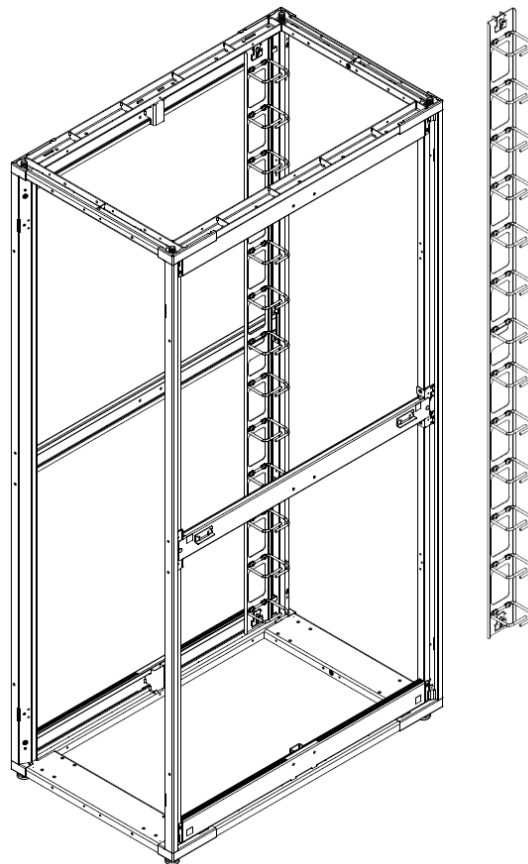
## Parts List

| Description                                 | Quantity  |
|---|-----------|
| 1. Vertical Cable Management 3.25i 45U, 47U | 1 piece   |
| 2. Cable Hoop                               | 14 pieces |
| 2. Post Clamp                               | 2 pieces  |
| 3. Post Hanging bracket                     | 2 pieces  |
| 4. Screw Pan head M6x12 T-30                | 30 pieces |



## Installation

1. Lift assembled Vertical cable management up then hang to top, middle and bottom side brace.
2. Insert Torx screw driver T-30 tip into the head of T-30 M6 screw at upper Vertical cable management , slide screw driver up until post clamp (inside) were firmly engaged with upper side of top post mounting channel then tighten screw.
3. Do the same process as step 2 at bottom end of Vertical cable management.



**Note :** Torque 40-50 in lbs

