

## 19" Heavy Duty Telescopic Sliding Shelves

### Product Information

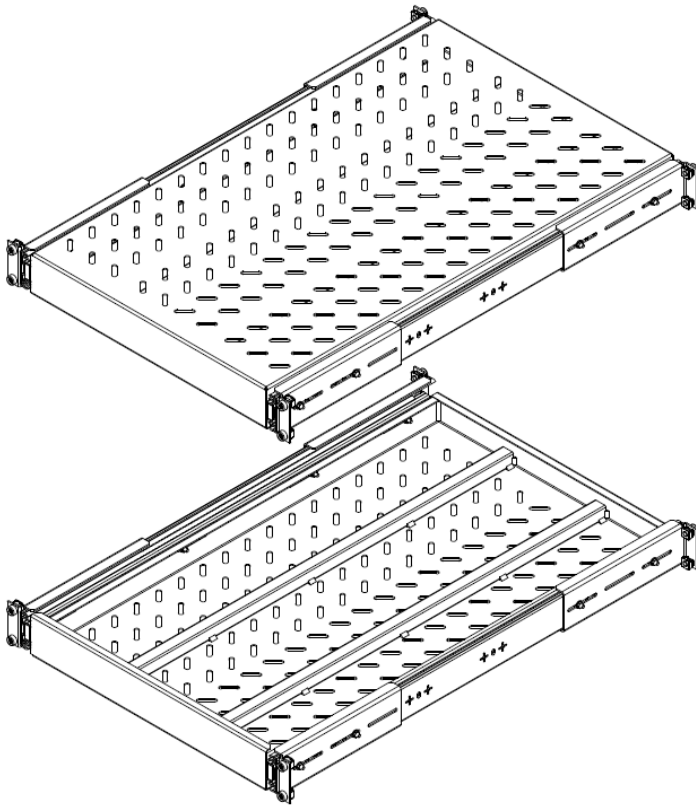
For added versatility and accessibility, our sliding shelves are the answer. A high quality bearing slide mechanism provides smooth and convenient action for our shelves. The mounting kits are installed to back side of the 19" rails. Product were pre-installed in the packaging.

### Features

- Adjustable Depth for installation
- Heavy duty Slide with 75 kg load rate
- Sliding shelves in 700 mm depth
- Quick release supported
- RoHS compliance
- Conforms to ASTM D610-01 and ASTM B117 (500 hours salt spray test)

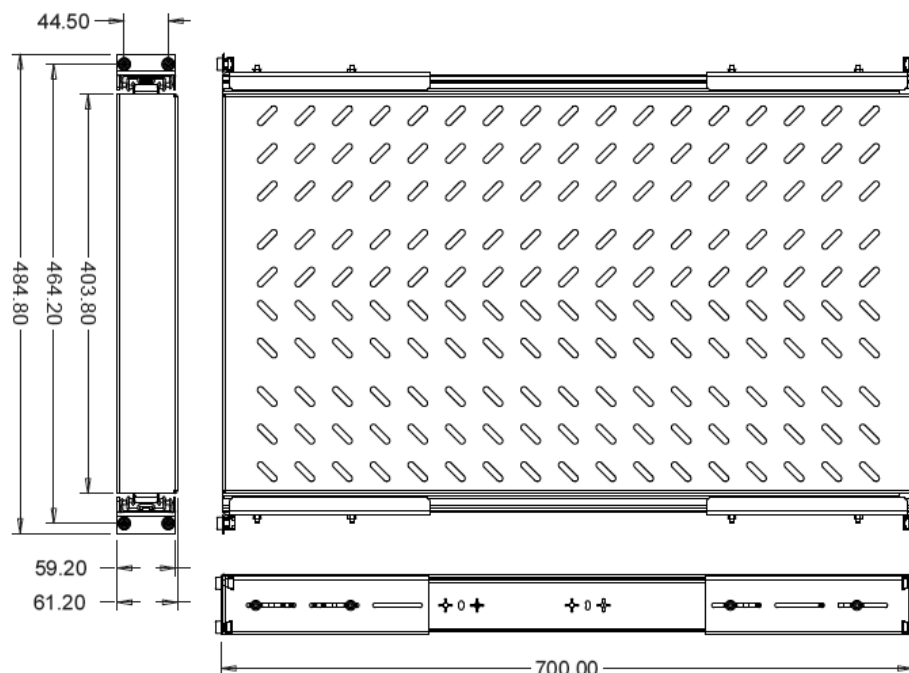
### Materials/Finish

- High grade cold rolled steel 1.60 mm thickness.
- Powder coat finish preceded by 5 stage iron phosphate pretreatment.
- Standard color is low gloss black. Special colors upon request

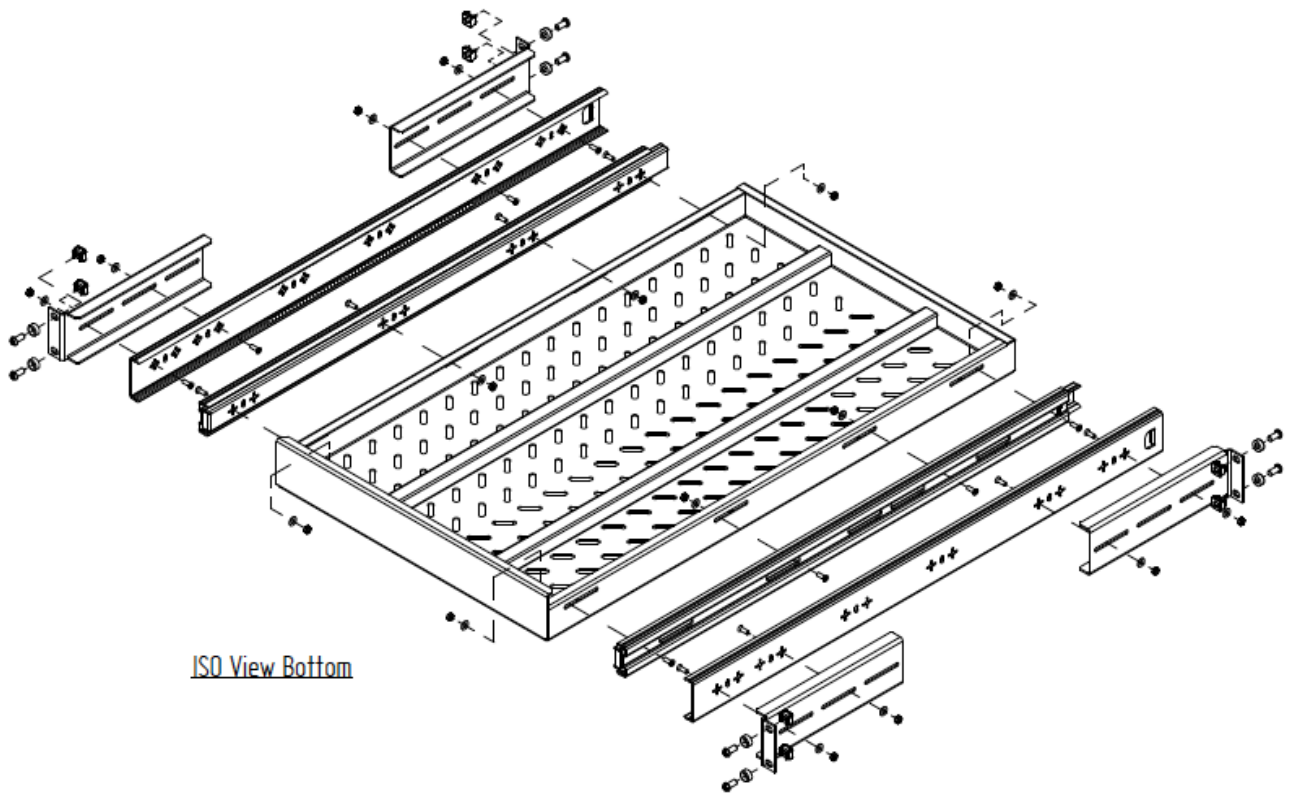


Part Code	Description
CSHD70028NBLK	19" Heavy Duty Telescopic Sliding Shelf 700 Deep Black

### Dimensions



## Part List



ISO View Bottom

Description	Quantity
1. 19" Telescopic Shelf Heavy duty	1 piece
2. Mounting Bracket	4 pieces
3. Heavy duty Slide	1 pair
4. Philips Taper Screw M4x12	16 pieces
5. Hex Nut M4	16 pieces
6. Spring Washer M4	16 pieces
7. Cage Nut M6	8 pieces
8. Plastic Cup washer M6	8 pieces
9. Phillips M6x16 pan Screw	8 pieces

## Installation

1. Remove 19" Heavy Duty Telescopic sliding shelf from outer slide and mounting bracket like these :
    - 1.1 Pull out 19" Heavy Duty Telescopic sliding shelf until it stops.
    - 1.2 Pressing the release lever on both side clockwise then pull 19" Heavy Duty Telescopic sliding shelf out of the outer slide and mounting bracket.
  2. Adjust distance between front and rear mounting bracket to be fit to the front and rear vertical mounting channel inside rack.
  3. Install 8 cage nut M6 on front and rear Vertical mounting channel at the same "U" number. See ballon A, B.
- Note : **Eight cage nuts at front and rear Vertical mounting channel shall be installed on the upper and lower hole in the same U number.**
4. Install one assembled mounting bracket on left side vertical mounting channel at front and rear side of rack then tighten mounting bracket to vertical mounting channel with philips M6x16 screw and cage nut M6 two pieces at each location.



Note : Install two mounting bracket on outside surface of front and rear vertical mounting channel

5. Repeat step 4 for another assembled mounting bracket on right side.

6. Tighten all philips taper screw on outer slide both left and right side.

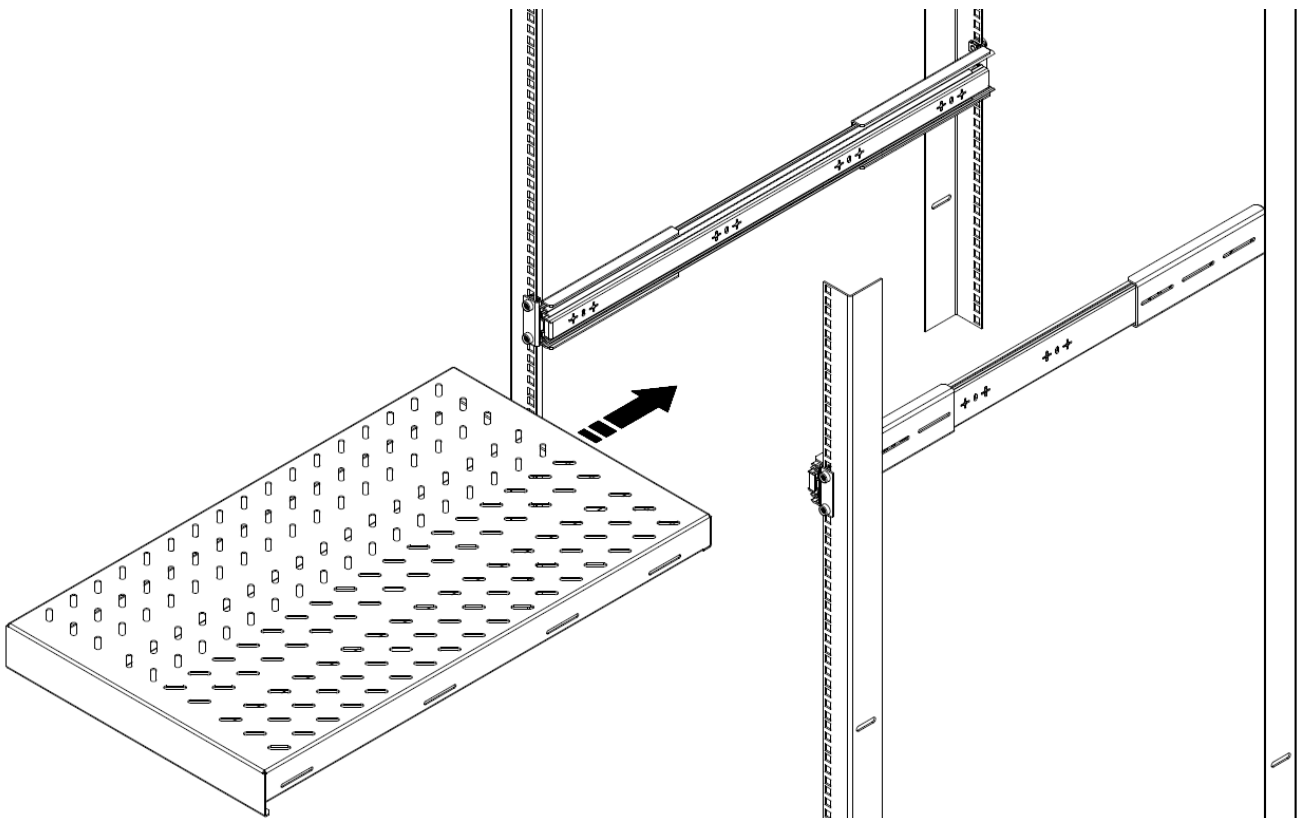
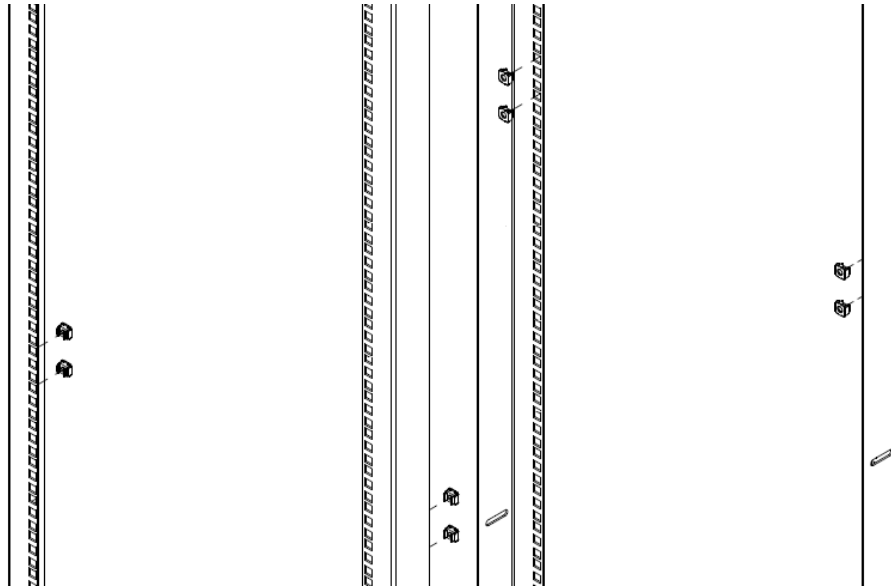
Note : During this process you need to move the ball slide part back and forward to access fixing taper screw at both end.

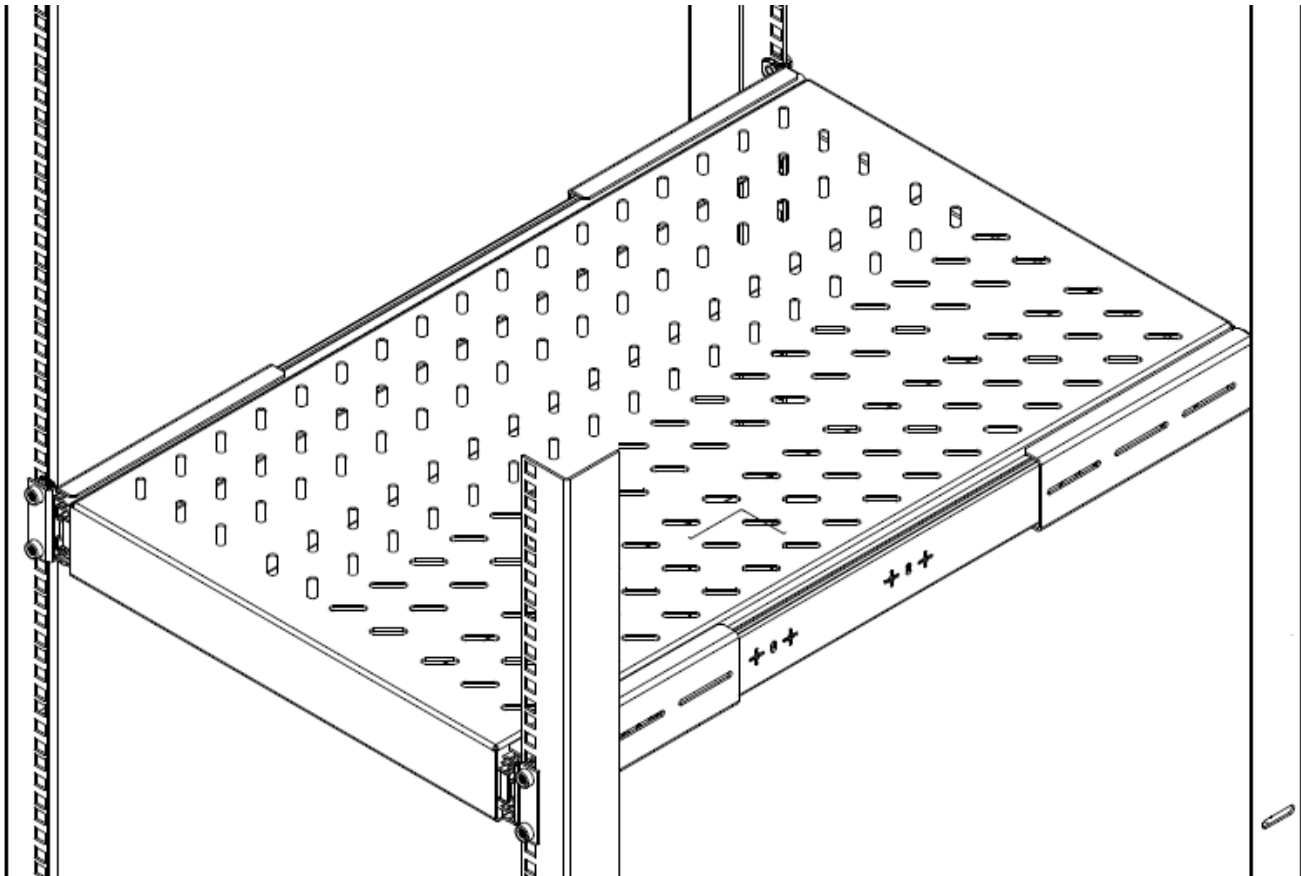
7. Push ball slide part on mounting bracket at both side completely backward.

8. Lift up 19" Telescopic shelf [Heavy duty] pre-assembled then insert both rear end of inner slide on shelf into the gap of outer slide on both side.

9. Push 19" Telescopic shelf [Heavy duty] until it stops

Congratulation. Your have done 19" Telescopic shelf [Heavy duty] installation completely.





---

**Note :** Torque 40-50 in lbs

---

