

19" Adjustable Vented Shelves

Product Information

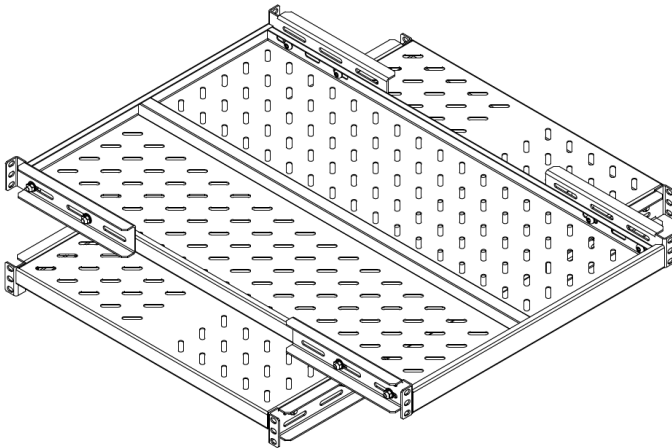
For supporting non rack mountable equipment, our adjustable shelves provide an ideal solution.

Features

- Adjustable depth for installation
- 650, 700, 800 and 900 mm depth
- 90 kg load rate
- RoHS compliant
- Conforms to ASTM D610-01 and ASTM B117 (500 hours salt spray test)

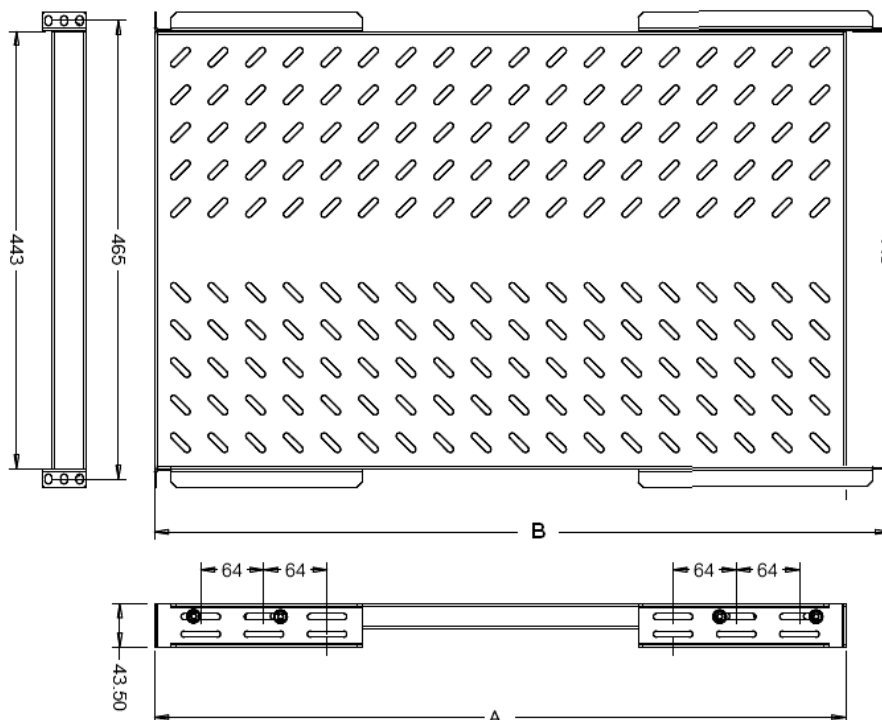
Materials/Finish

- High grade cold rolled steel 1.60 mm thickness.
- Powder coat finish preceded by 5 stage iron phosphate pretreatment.
- Standard color is low gloss black.

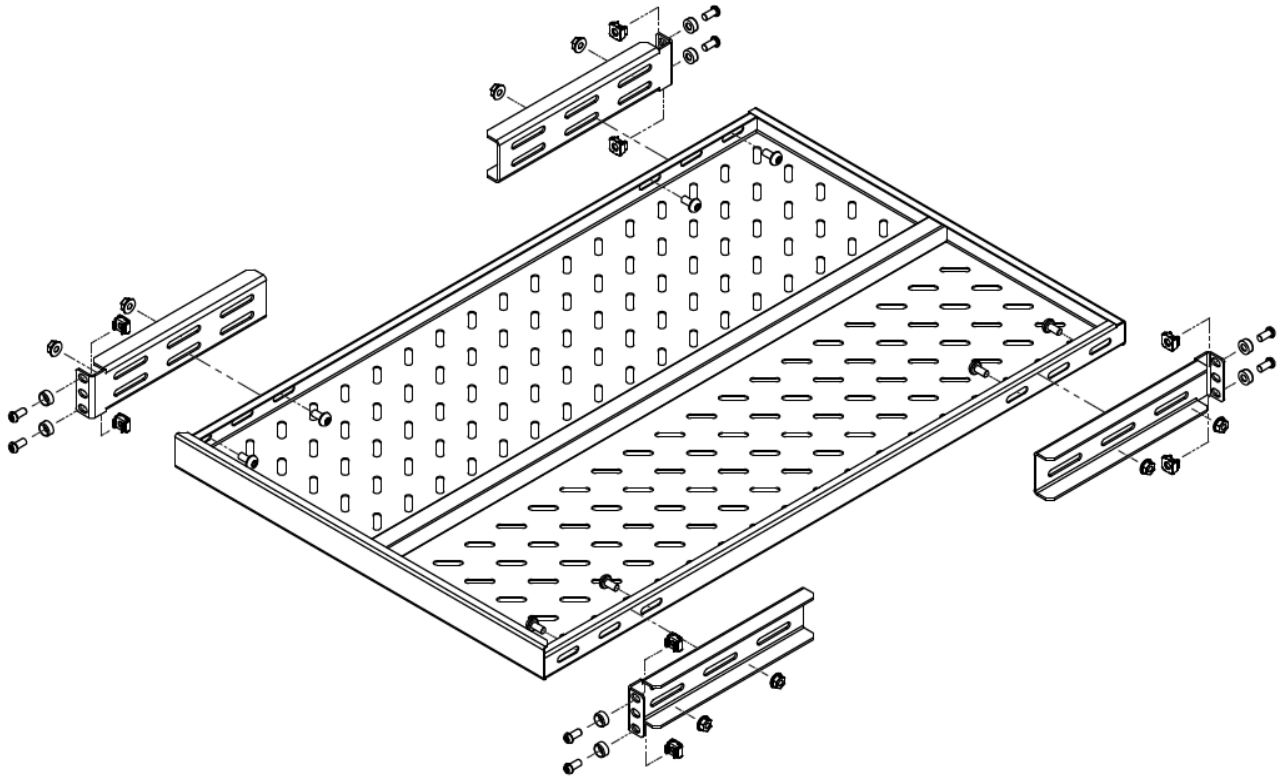


Part Code	Description	"A" STD	"B" Max
SVA650NBLK	19" Adjustable Shelf Vented 650 Deep Black	650	790
SVA700NBLK	19" Adjustable Shelf Vented 700 Deep Black	700	840
SVA800NBLK	19" Adjustable Shelf Vented 800 Deep Black	800	940
SVA900NBLK	19" Adjustable Shelf Vented 900 Deep Black	900	1040

Dimensions



Parts List



Description	Quantity
1. 19"Adjustable vented shelf	1 piece
2. Mounting Bracket	4 pieces
3. Screw T-30 M6x12	8 pieces
4. Hex Flange Nut M6	8 pieces
5. Cage Nut M6	8 pieces
6. Plastic Cup washer M6	8 pieces
7. Phillips M6x16 pan Screw	8 pieces

Installation

1. Install mounting bracket on left and right side of 19" Adjustable Vented shelf with two of screw M6x12 T-30 and hex flange nut on each side. Align front side of shelf and mounting bracket to be in same plane. Also align upper surface of mounting bracket flush flat with upper surface of adjustable shelf then tighten all screw with torque 40-50 inch lbs.

2. Adjust distance between front and rear mounting bracket to be fit to the front and rear vertical mounting channel. See first image in next page.

3. Install 8 cage nut M6 on front and rear Vertical mounting channel. See balloon A, B.

Note : Eight cage nuts at front and rear Vertical mounting channel shall be installed on the upper and lower hole in the same U number.

4. Hold the shelf and rotate clockwise about 30-45 degree [See balloon number 1] then move it inside Arion rack. See balloon number 2.

5. Rotate shelf counter clockwise until top surface is in horizontal level. See balloon number 3.

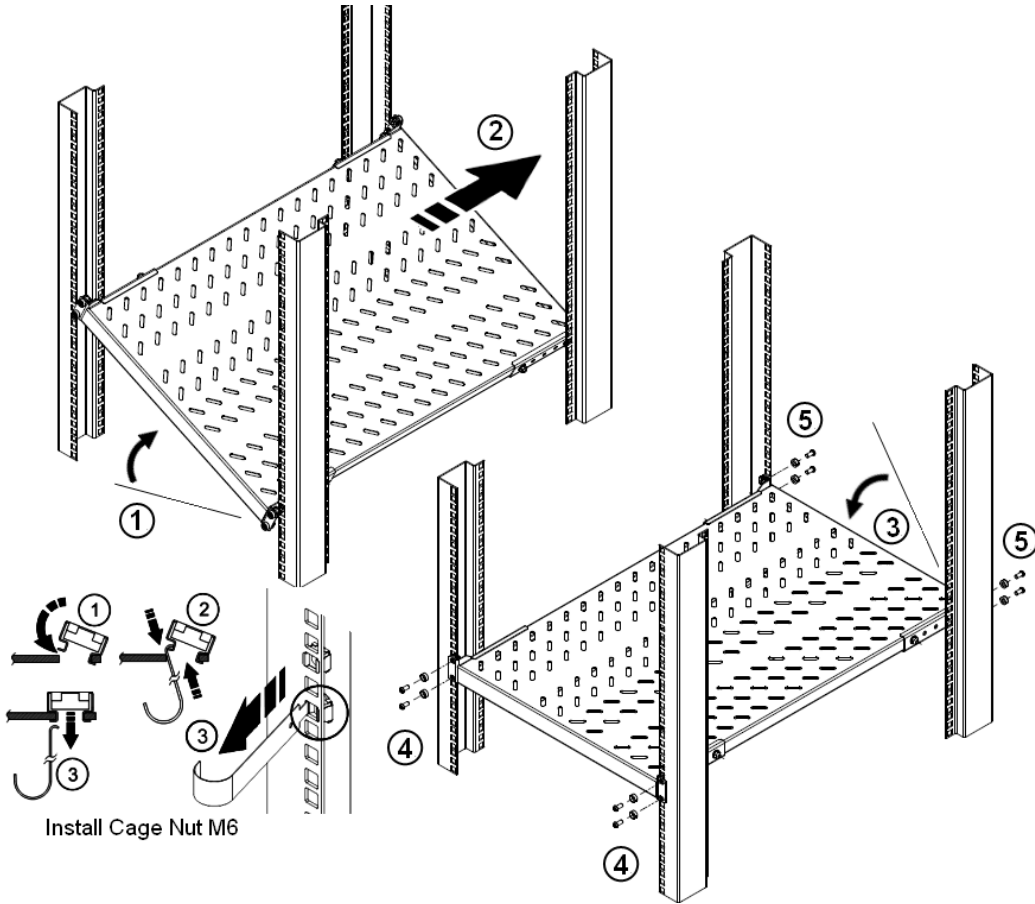
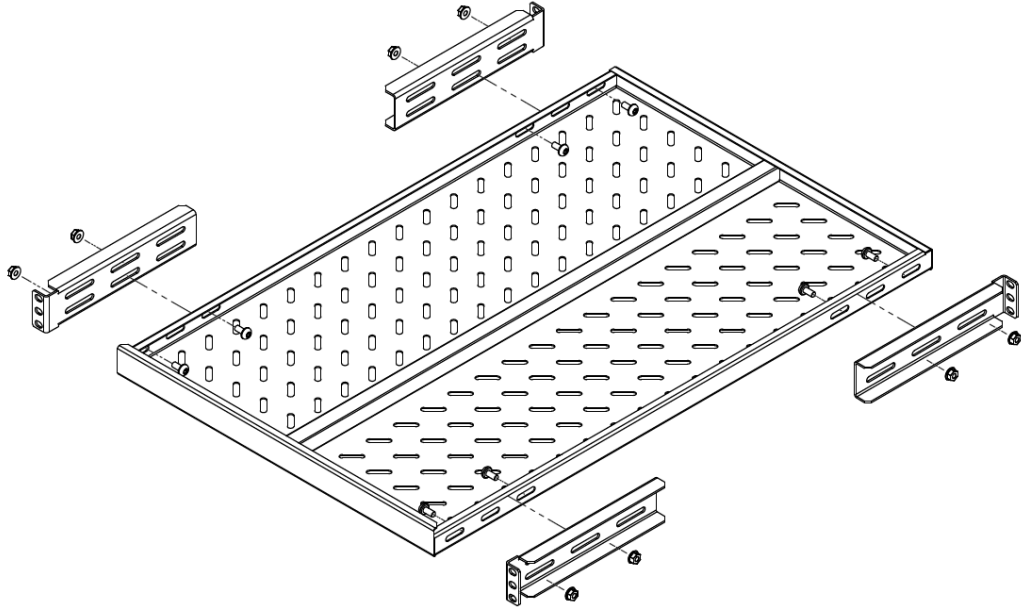
6. Keep rear side of Front mounting bracket touching front side of vertical mounting channel.

Note : Now the rear mounting bracket will stay outside the rear vertical mounting channel

7. Fix shelf to Vertical mounting channel with Phillips M6x16 and plastic washer to 8 cage nut on the rear



side of Vertical mounting channel with torque 40-50 inch lbs. See balloon number 4 and 5



Install Cage Nut M6

Note : Torque 40-50 inch lbs

