

# 19" Mounted Telescopic Shelves

## Product Information

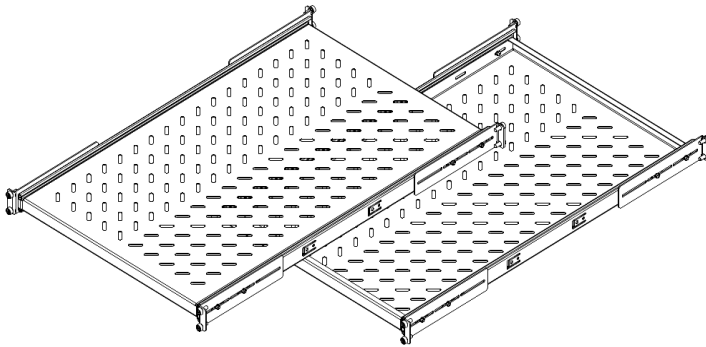
A high quality bearing slide mechanism provides smooth and convenient action for our shelves. The mounting kits are installed to back side of the 19" rails.

## Features

- Adjustable Depth for installation
- 50 kg load rate
- RoHS compliant
- Conforms to ASTM D610-01 and ASTM B117 (500 hours salt spray test)

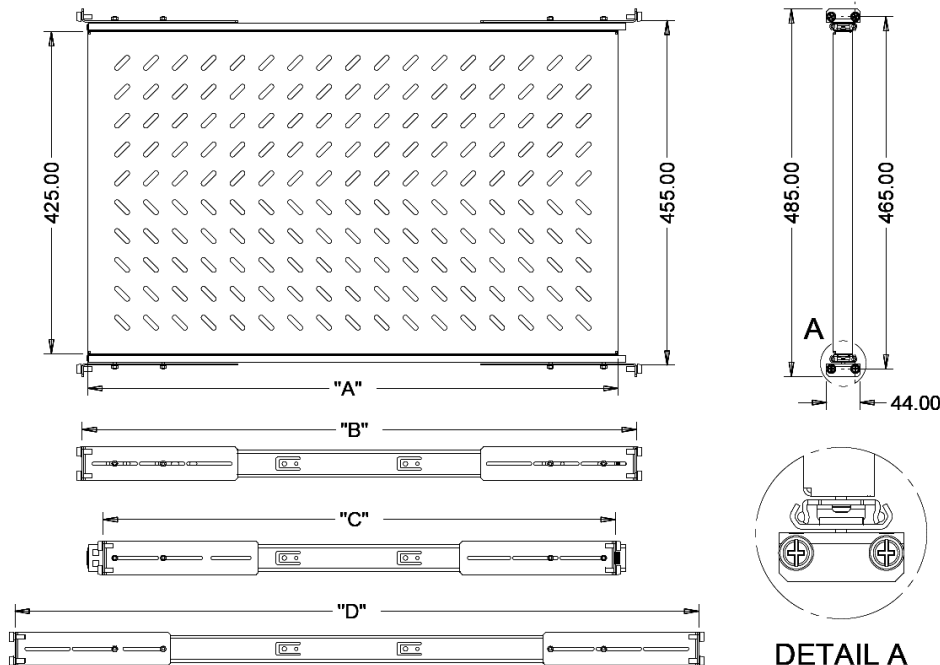
## Materials/Finish

- High grade cold rolled steel 1.2 mm thickness
- Powder coat finish preceded by 5 stage iron phosphate pre treatment.
- Standard color is low gloss black. Special colors upon request.



Part Code	Description
CS70028NBLK	19" Telescopic Shelf Vented 700 Deep

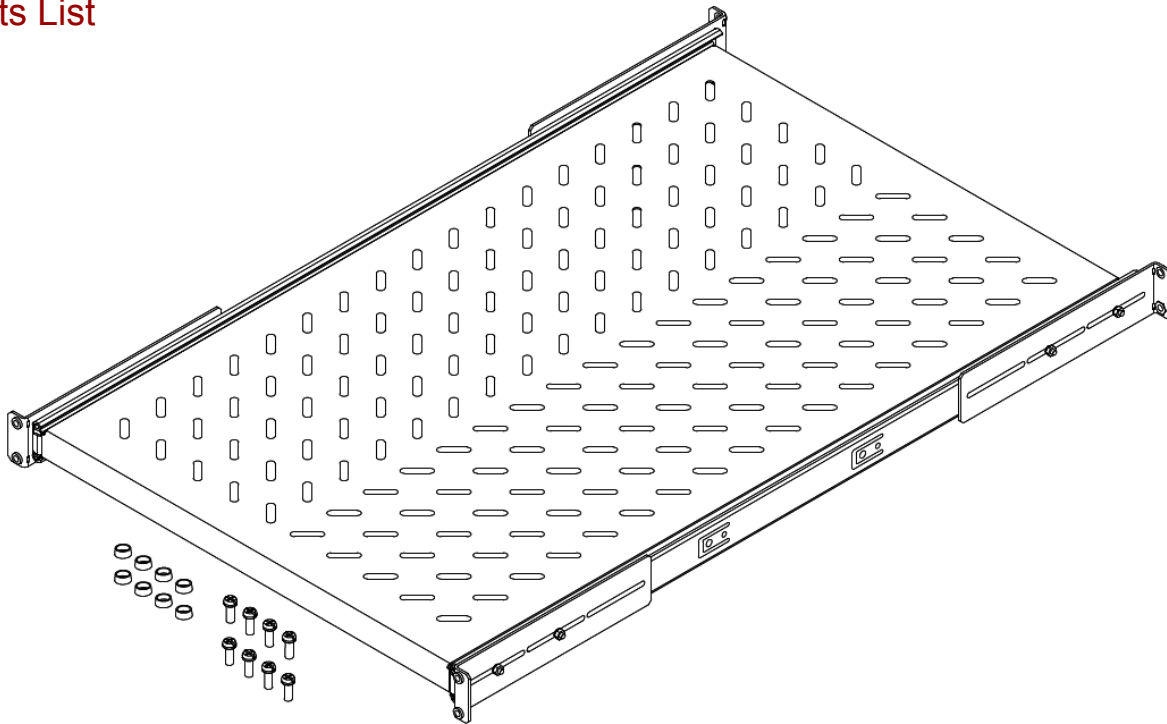
## Dimensions



Shelves Depth "A"	Standard "B"	Min "C"	Max "D"
<b>700 mm</b>	<b>731</b>	<b>676</b>	<b>903</b>

- A : Shelf depth.
- B : Standard distance from front to rear Vertical mounting channel.
- C : Minimum distance from front to rear Vertical mounting channel.
- D : Maximum distance from front to rear Vertical mounting channel.

### Parts List

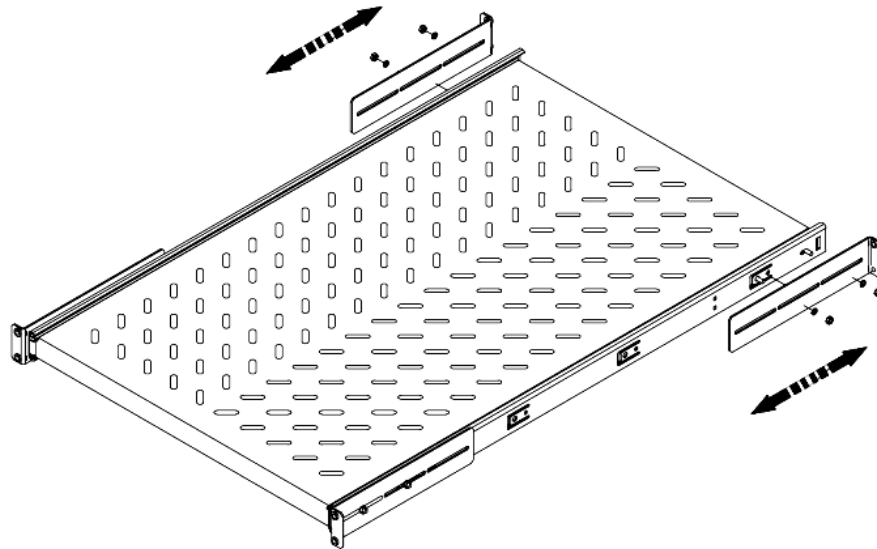


Item	Quantity
1. 19" Mounted Telescopic Shelves	1 set
2. Phillips M6 x 16 pan Screw	8 pieces
3. Plastic Cup washer M6	8 pieces

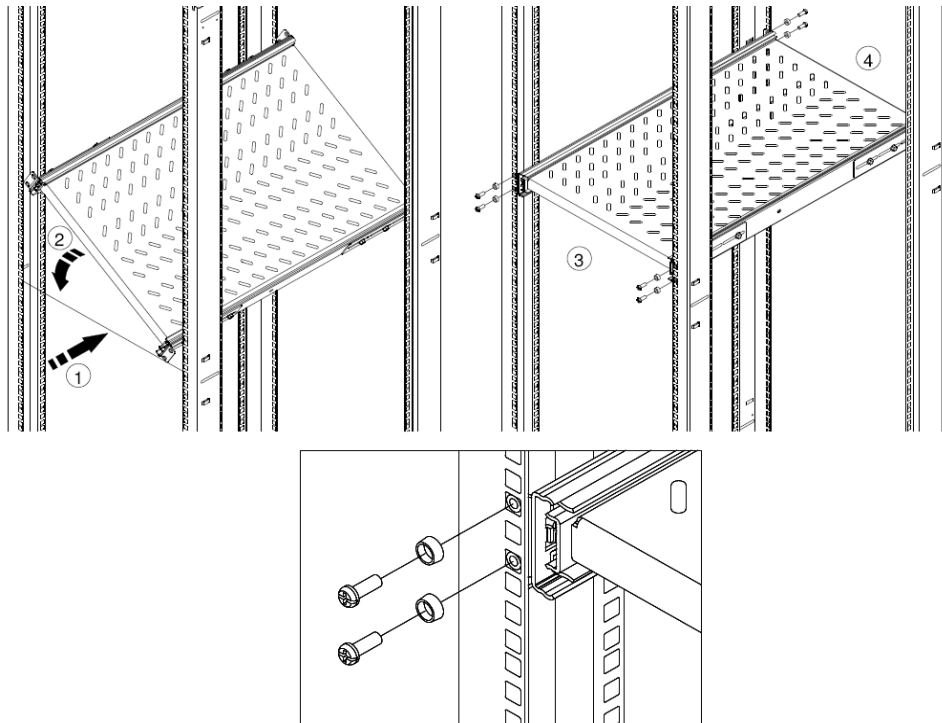


## Installation

1. Adjust the distance between front and rear mounting flange on both sides of telescopic slide to matched with the gap between front and rear Vertical mounting channel.



2. Rotate the Shelf 30- 45 degree clockwise.
3. Move Shelf inside rack then locate it between front and rear Vertical mounting channel.
4. Rotate the Shelf about 30- 45 degree counterclockwise.
5. Fix the Shelf with two Phillips M6 x 16 screw and plastic cup washer at each mounting point.



**Note :** Torque 45-50 in lbs

**\*\*Please be careful when pulling out the shelf with load, ensure the rack is stable to prevent tipping over.**

