

19" Tool less Filler Panels Product Information

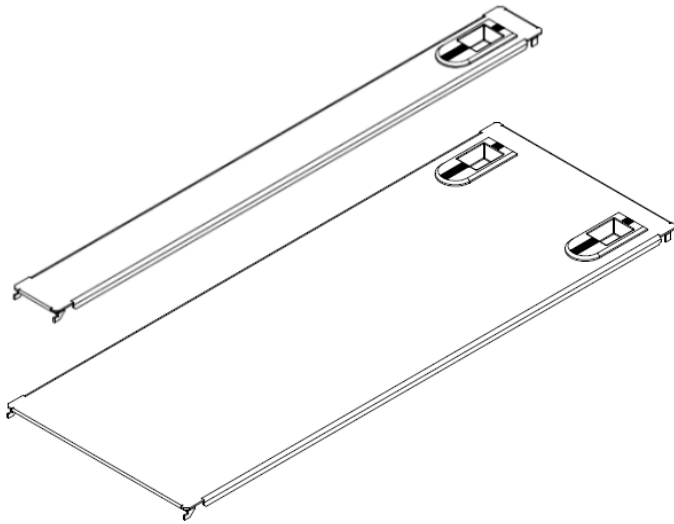
Simplified design to enable quick and easy installation or removal.

Features

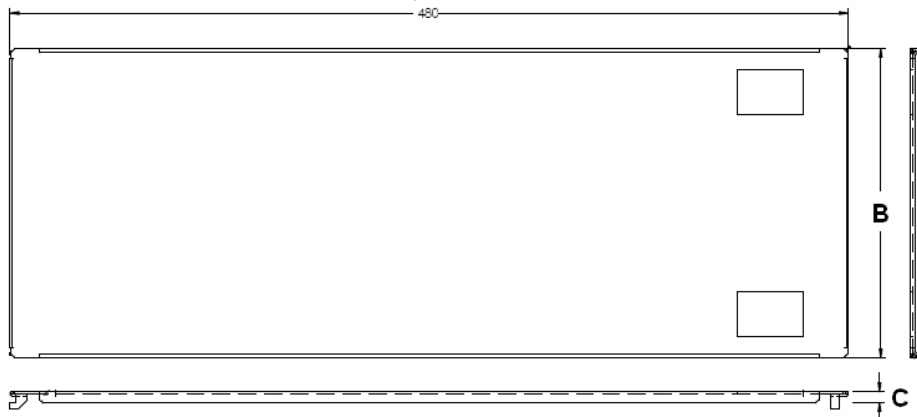
- Gasket in place seals panel against 19" vertical rail, preventing unwanted air leakage.
- Low profile front surface that does not interfere with vertical airflow.
- Available in 1U to 5U
- RoHS compliant
- Conforms to ASTM D610-01 and ASTM B117 (500 hours salt spray test)

Materials/Finish

- High grade cold rolled steel 1.2 mm thickness.
- Powder coat finish preceded by 5 stage iron phosphate pre treatment.
- Standard color is low gloss black. Special colors upon request.



Dimensions



Item	Part Name	Part Code	B	C
1	19" Tool Less Filler Blank Panel 1U	TBLS1UBLK	44	10
2	19" Tool Less Filler Blank Panel 2U	TBLS2UBLK	88	10
3	19" Tool Less Filler Blank Panel 3U	TBLS3UBLK	133	10
4	19" Tool Less Filler Blank Panel 4U	TBLS4UBLK	177	10
5	19" Tool Less Filler Blank Panel 5U	TBLS5UBLK	222	10



Parts List

Description	Quantity
19" Tool less filler panel	1 piece

Installation

1. To install, simply guide the pivot feet on the left of blank panel into the square cutouts (within the selected "U" space) on the left 19" vertical mounting channel.
2. Pull slide latch completely to the left
3. Push blank panel until it was completely touched the front side of 19" vertical mounting rail on the right hand side then release slide latch to lock.

