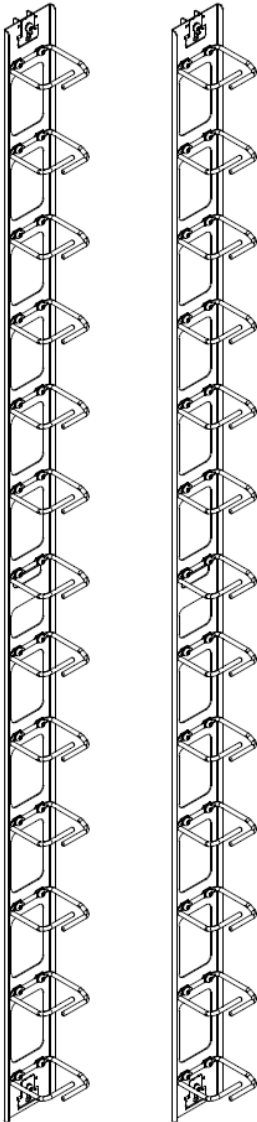


Vertical Cable Management 42U with 3.25" Cable Hoop



Product Information

The vertical cable rail is a convenient and effective way to manage cables in the cabinet.

Features

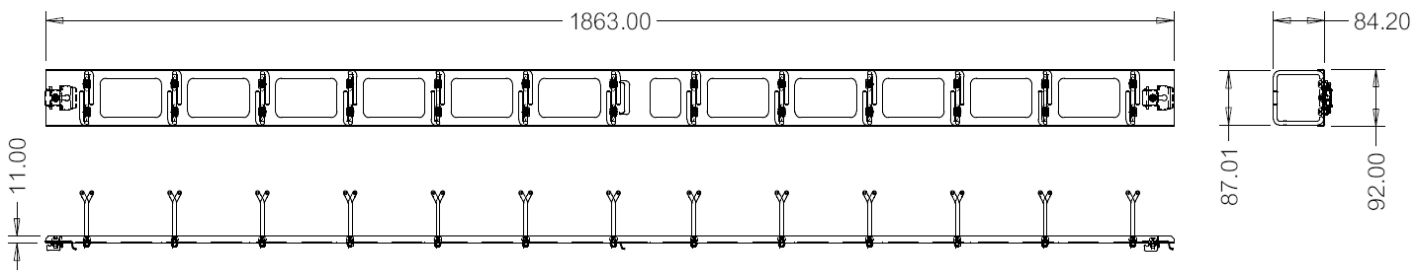
- Zero U installation
- 13 x 3.25" metal rod cable hoop
- Each hoop can hold approximately 180 standard CAT 5e cables.
- Large cutouts for cable routing between cabinets.
- Quick and easy installation.
- RoHS compliant
- Conforms to ASTM D610-01 and ASTM B117 (500 hours salt spray test)

Materials/Finish

- High grade cold rolled steel.
- Powder coat finish preceded by 5 stage iron phosphate pretreatment.
- Standard color is low gloss black. Special colors upon request.

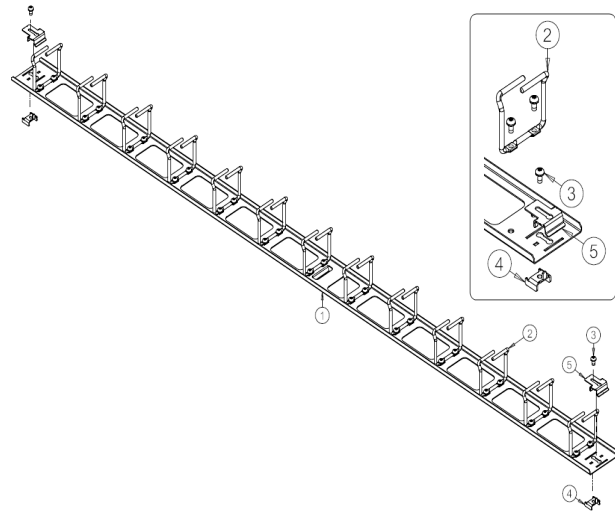
Part Code	Description
VCMH42	Vertical Cable Management Rail 42U with 3.25" Cable hoops

Dimensions



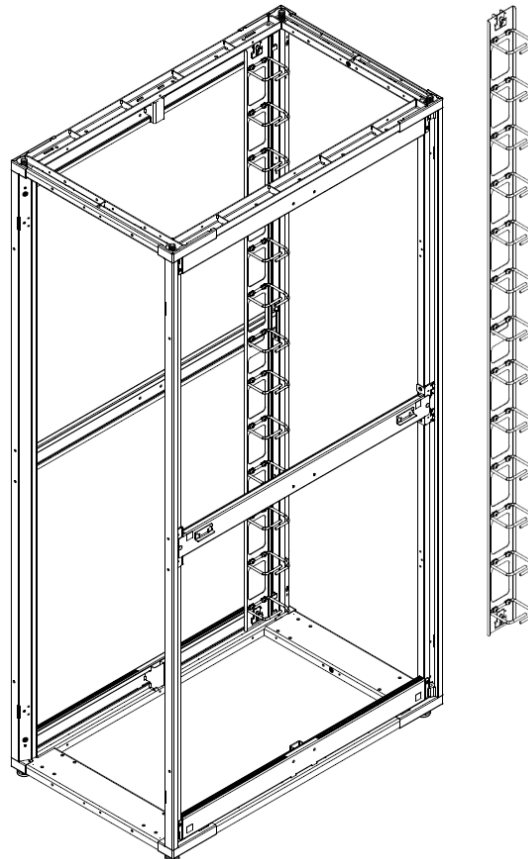
Parts List

Description	Quantity
1. Vertical Cable Management 3.25i 42U	1 piece
2. Cable Hoop	13 pieces
2. Post Clamp	2 pieces
3. Post Hanging bracket	2 pieces
4. Screw Pan head M6x12 T-30	28 pieces



Installation

1. Lift assembled Vertical cable management up then hang to top, middle and bottom side brace.
2. Insert Torx screw driver T-30 tip into the head of T-30 M6 screw at upper Vertical cable management, slide screw driver up until post clamp (inside) were firmly engaged with upper side of top post mounting channel then tighten screw.
3. Do the same process as step 2 at bottom end of Vertical cable management.



Note : Torque 40-50 in lbs

